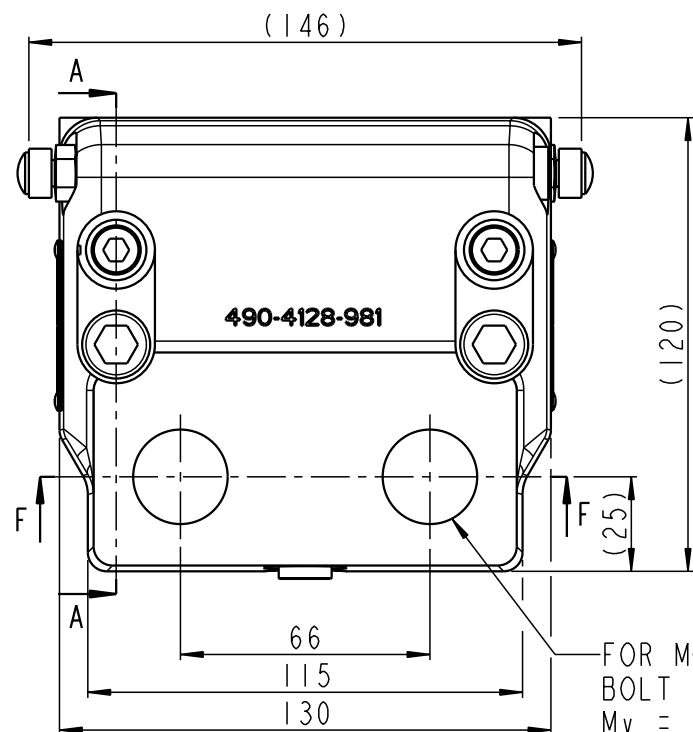
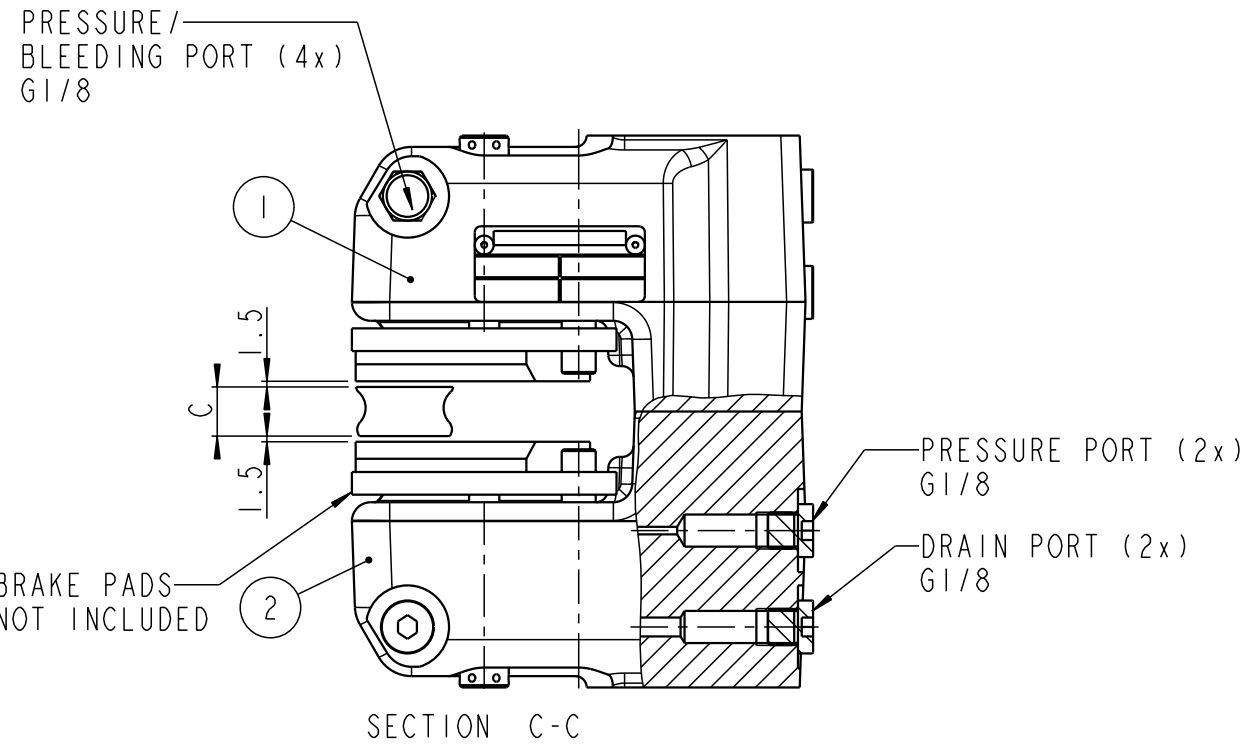
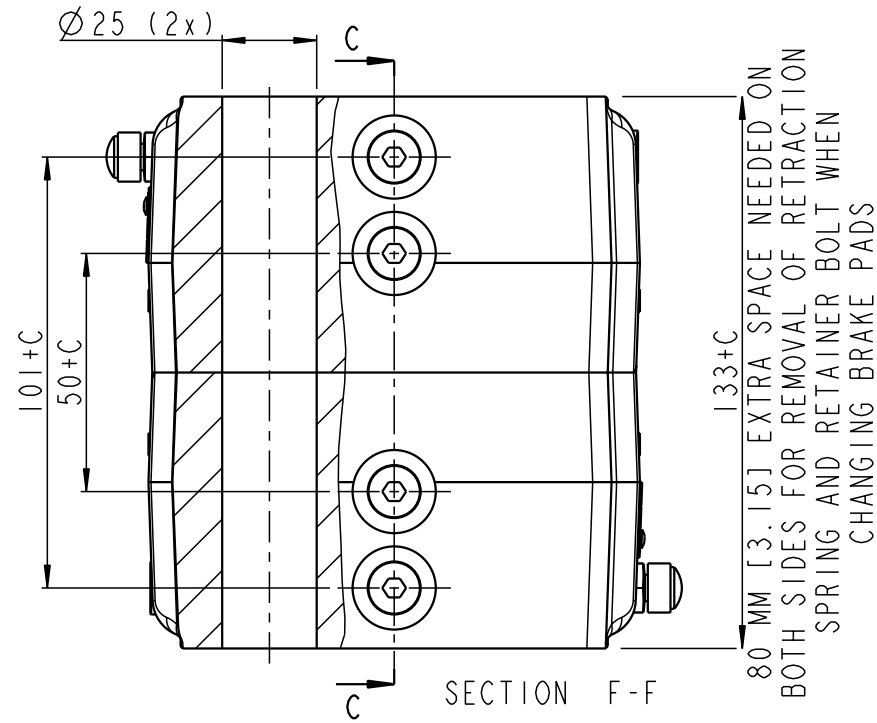
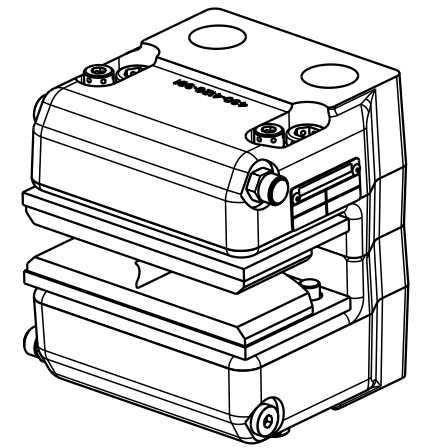
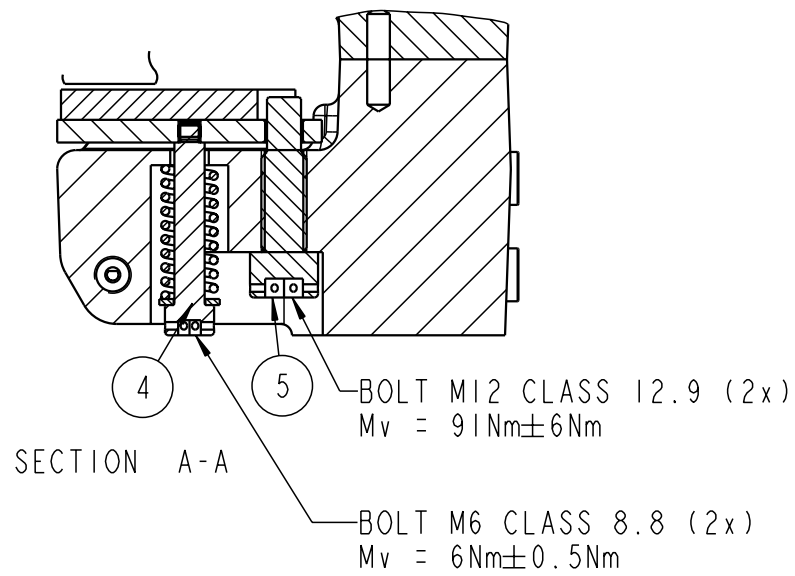


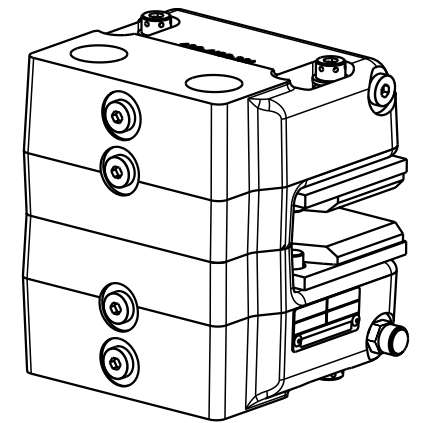
Rev. A 98426 SFR 19.02.2016



FOR MOUNTING BOLTS (NOT INCLUDED):
 BOLT M24 CLASS 10.9 (2x)
 $M_v = 740 \text{ Nm} \pm 30$
 WITH Mo2S4



SCALE 3:10



DISC THICKNESS [C]: 13 MM (WITHOUT SPACER)
 WEIGHT: 11 KG

TOLERANCES FOR INTERNAL AND EXTERNAL RADII, ANGLES AND CHAMFERS ACCORDING TO: ISO 2768 - mK		ALL DIMENSIONS IN mm	DRAWING STATUS
DRAWN BY SFR		DESCRIPTION BSAB 50-S-104	Released
DATE 05.01.2016			
DRAWING NO. 490-4052-803		REVISION A	4
		SCALE 1:2 (A3)	
		SHEET 1 OF 1 SHEETS	