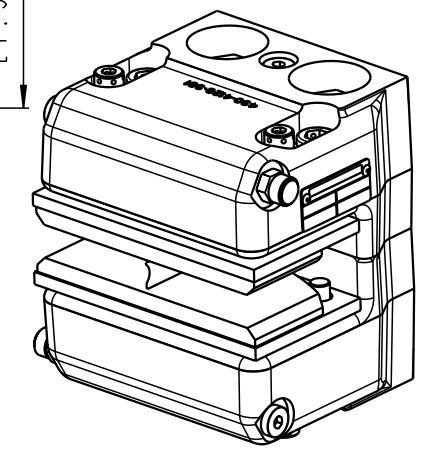
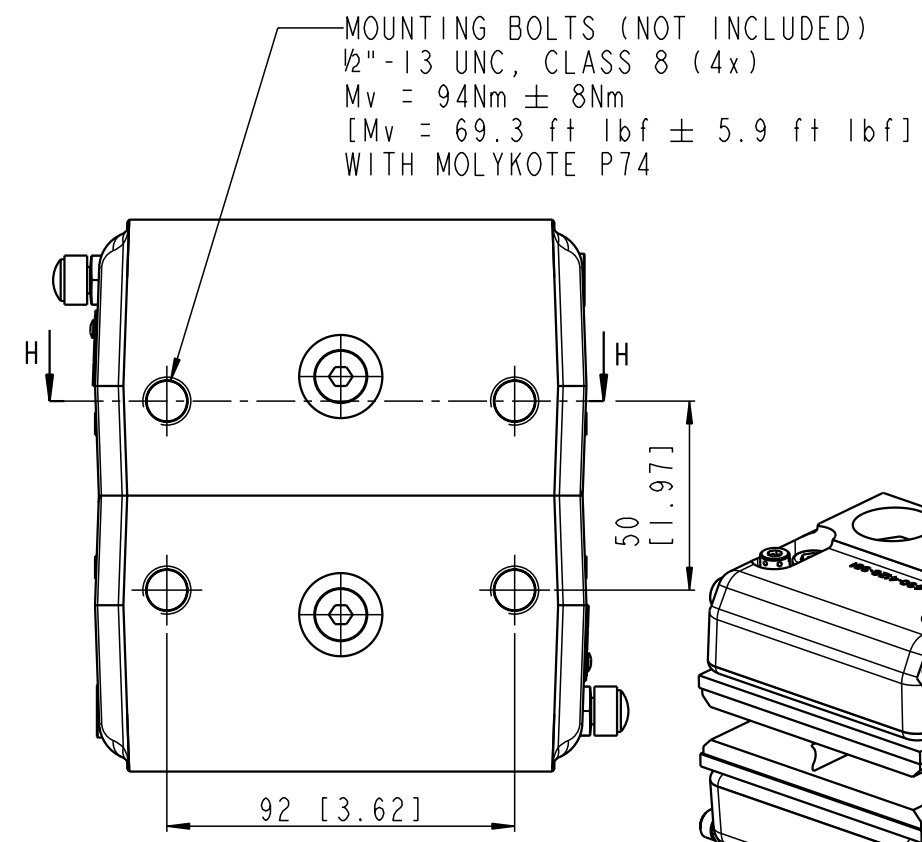
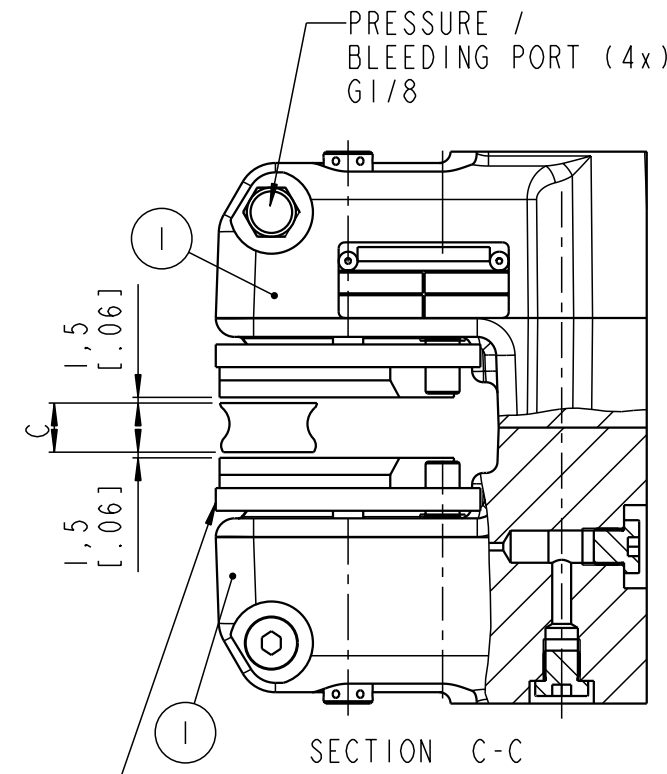
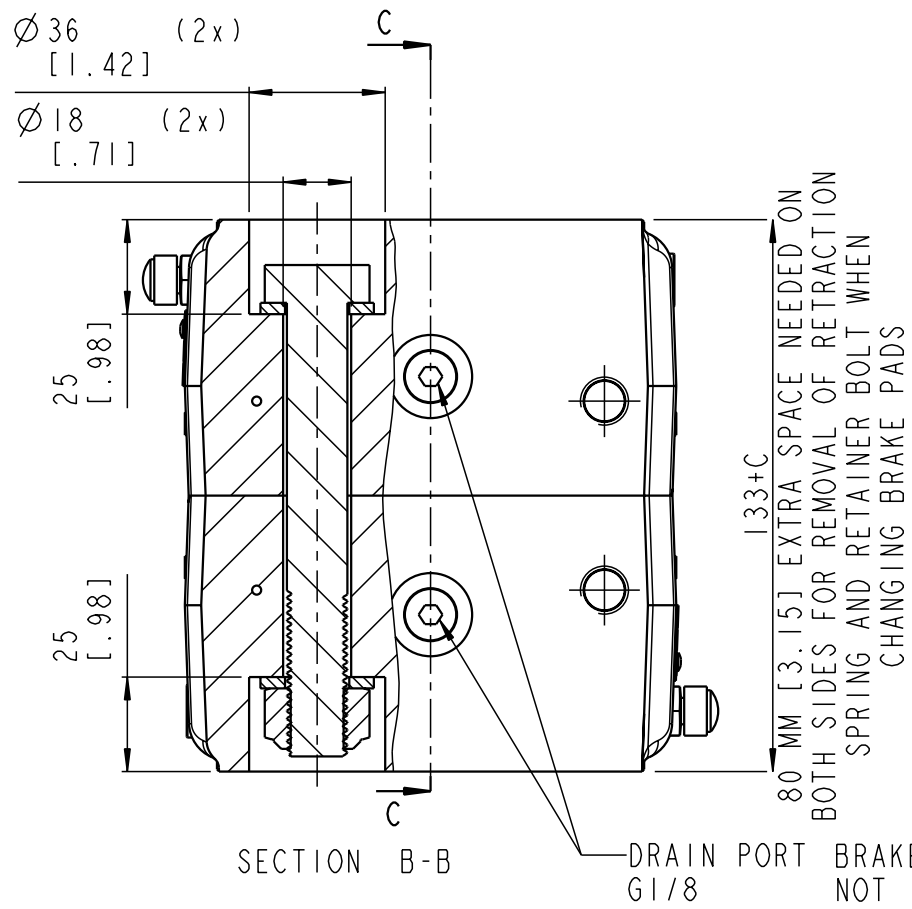
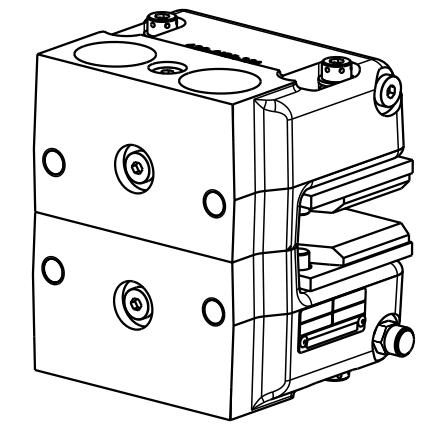


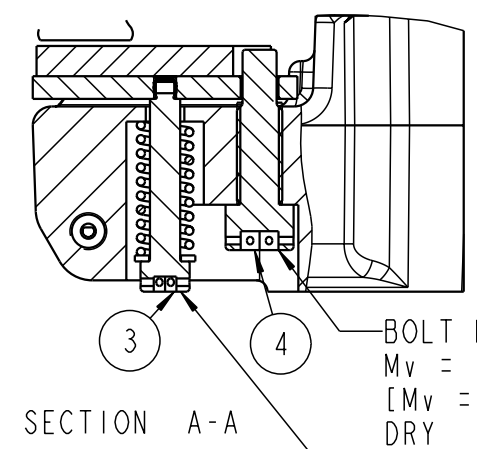
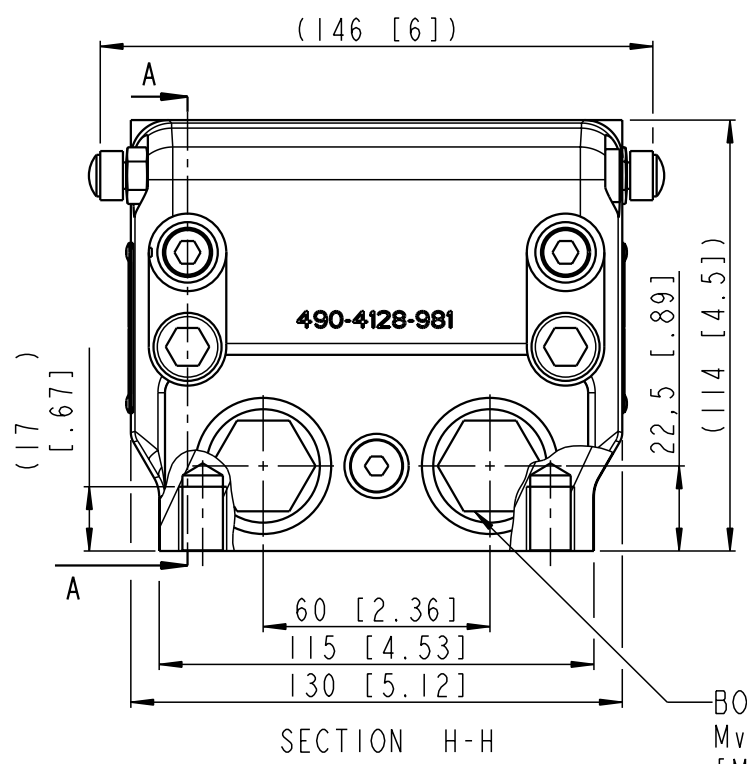
Rev. C 96899 MKN 10.03.2014  
 Rev. D 98298 SFR 05.01.2016  
 Rev. E 98522 SFR 15.04.2016



SCALE 3:10



MAX. PRESSURE: 165 BAR  
 DISC THICKNESS [C]: 13 MM  
 WEIGHT: 11 KG



BOLT M12 CLASS 12.9 (x2)  
 Mv = 91Nm ± 6Nm  
 [Mv = 67.1 ft lbf ± 4.4 ft lbf]  
 DRY

BOLT M6 CLASS 8.8 (2x)  
 Mv = 6Nm ± 0.5Nm  
 [Mv = 4.4 ft lbf ± 0.4 ft lbf]  
 DRY

BOLT M16 CLASS 10.9 (2x)  
 Mv = 220Nm ± 15Nm  
 [Mv = 162.3 ft lbf ± 11.1 ft lbf]  
 WITH MOLYKOTE P74

TOLERANCES FOR INTERNAL AND EXTERNAL RADII, ANGLES AND CHAMFERS ACCORDING TO: ISO 2768 - mK		ALL DIMENSIONS IN mm	DRAWING STATUS
DRAWN BY RCH		DESCRIPTION BSAB 50-S13-202 4x 1/2" - 13 UNC MOUNTING	<b>Released</b>
DATE 11.05.2011			
DRAWING NO. 490-4430-802		SCALE 1:2 (A3)	
		SHEET 1 OF 1 SHEETS	