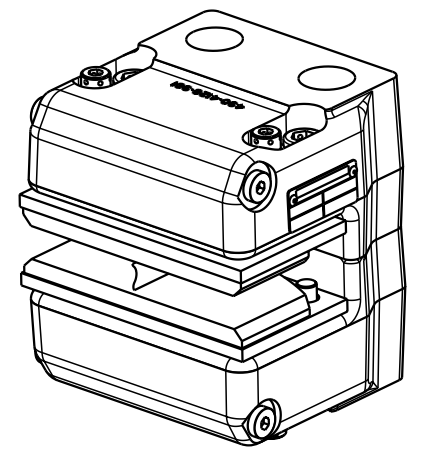
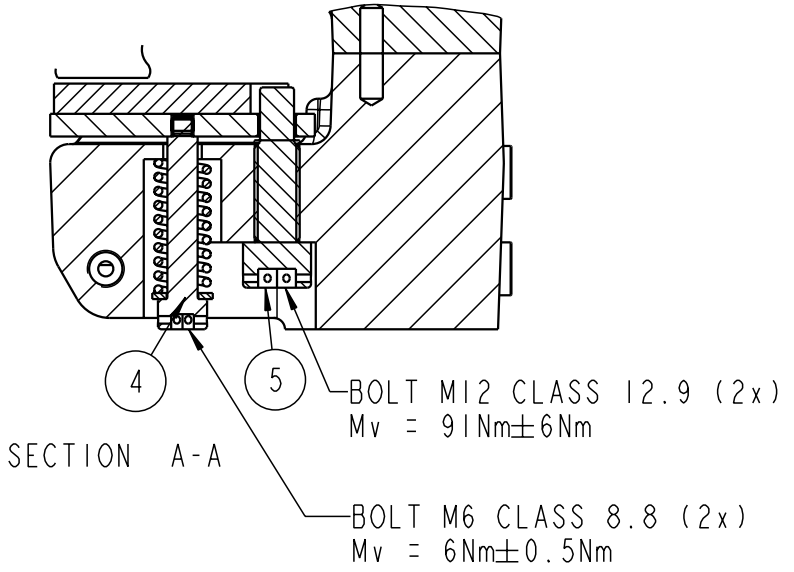
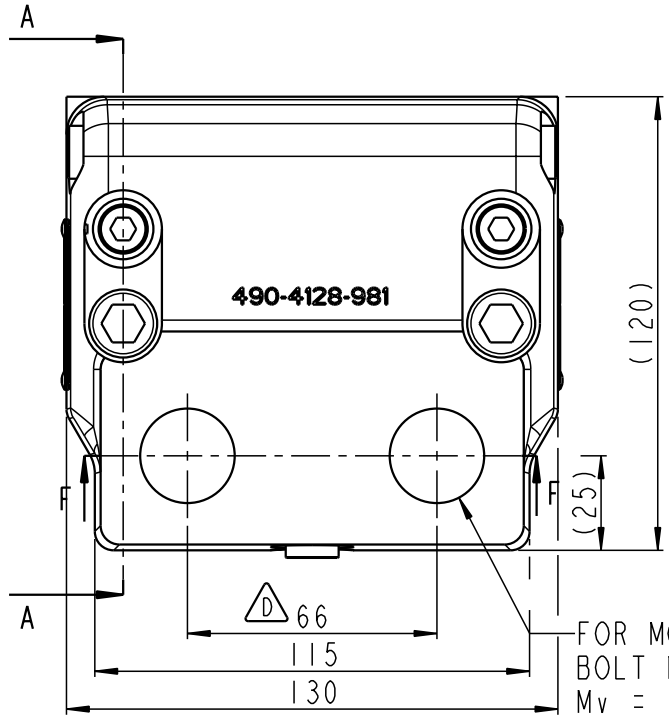
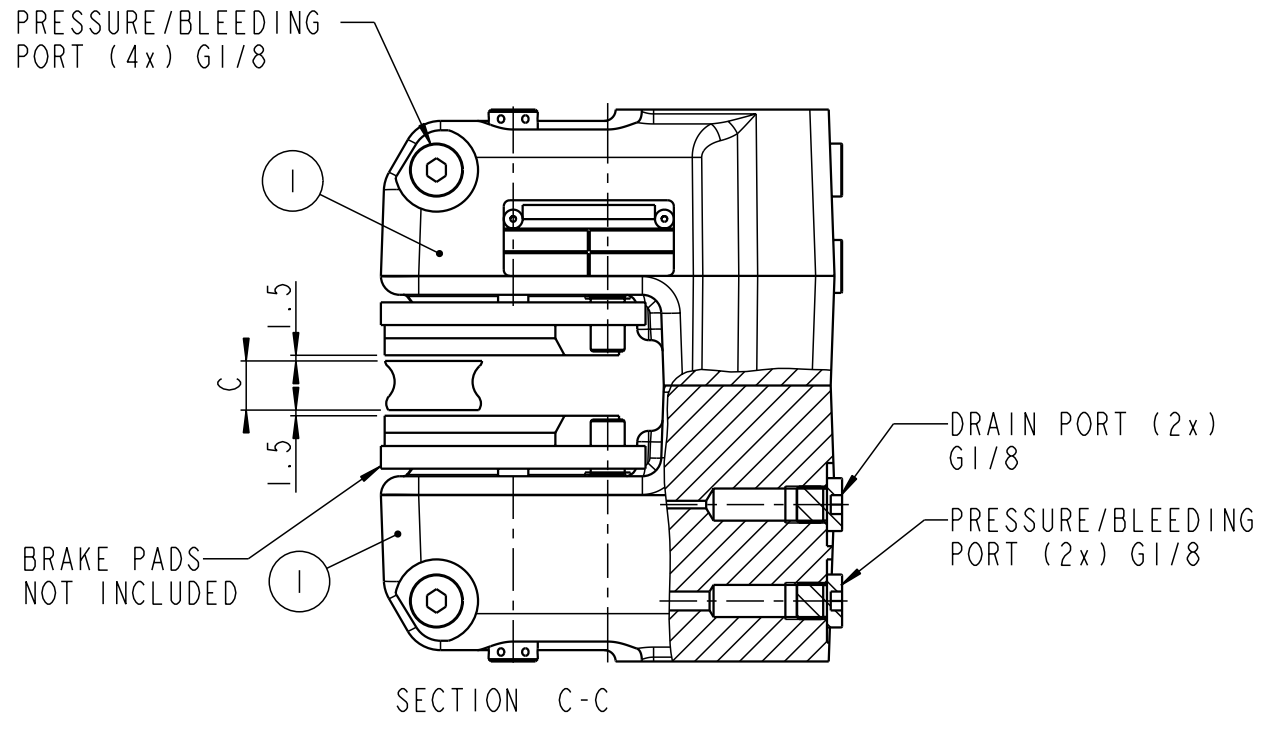
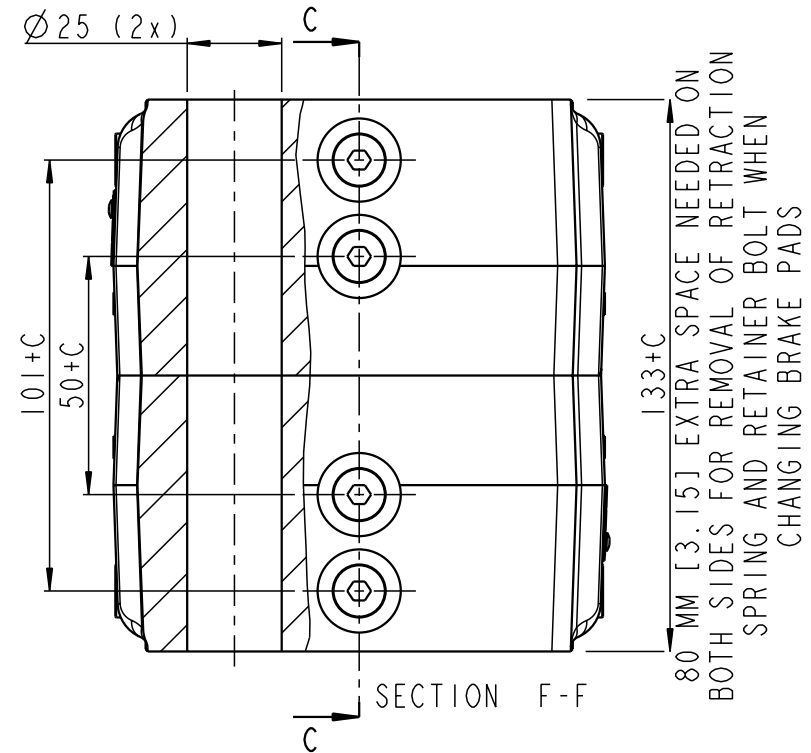
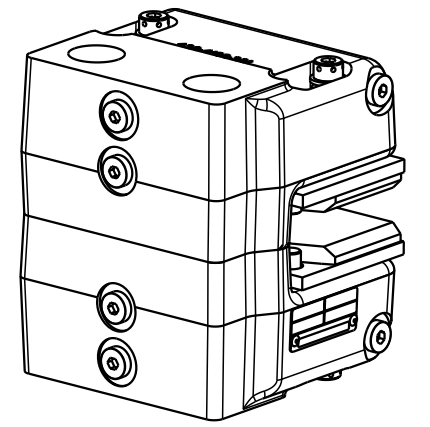


REV. B 99958 SEB 01.05.2018
 REV. C 100137 SEB 02.07.2018
 REV. D 100011 SEB 14.09.2018



SCALE 3:10



DISC THICKNESS [C]: 13 MM (WITHOUT SPACER)
 WEIGHT: 11 KG

TOLERANCES FOR INTERNAL AND EXTERNAL RADII, ANGLES AND CHAMFERS ACCORDING TO: ISO 2768 - mK		ALL DIMENSIONS IN mm	DRAWING STATUS
DESCRIPTION	BSAB 50-S-104	Released	
DRAWN BY SFR	DATE 05.01.2016		
DRAWING NO. 490-4052-803		REVISION D	4
		SCALE 1:2 (A3)	
		SHEET 1 OF 1 SHEETS	