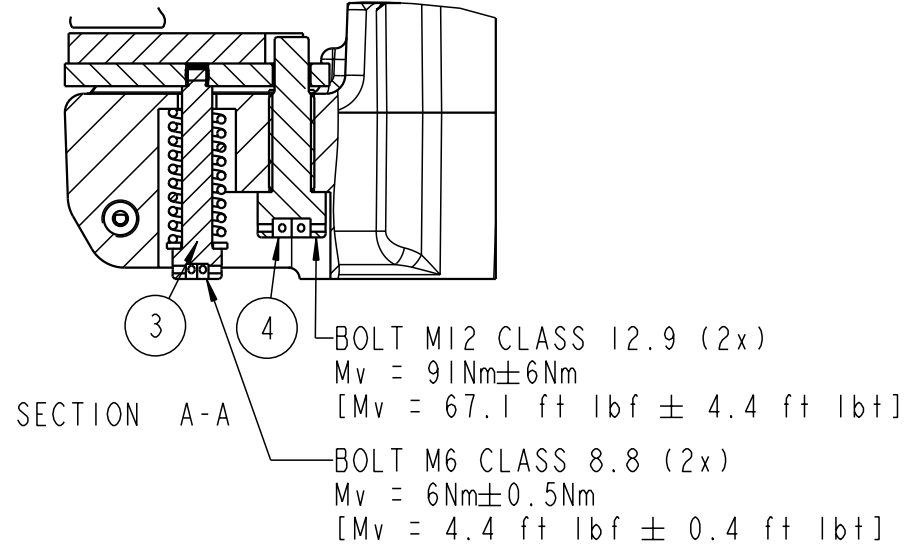
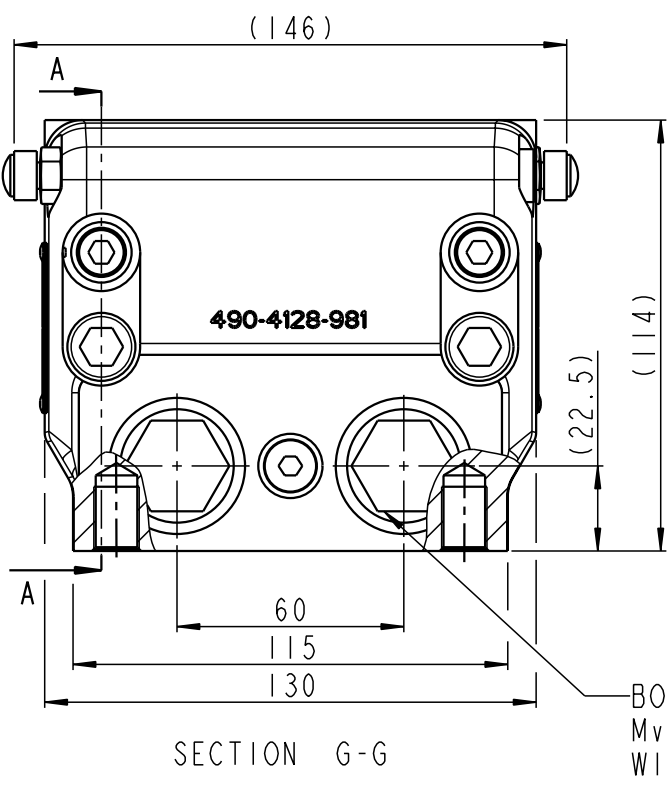
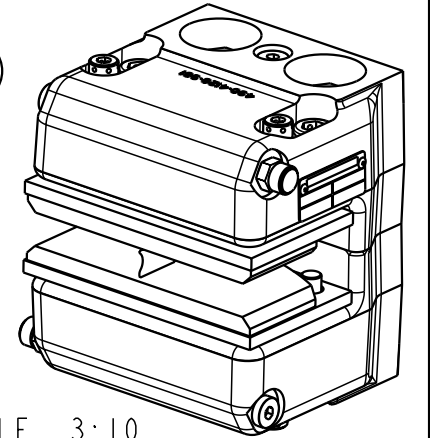
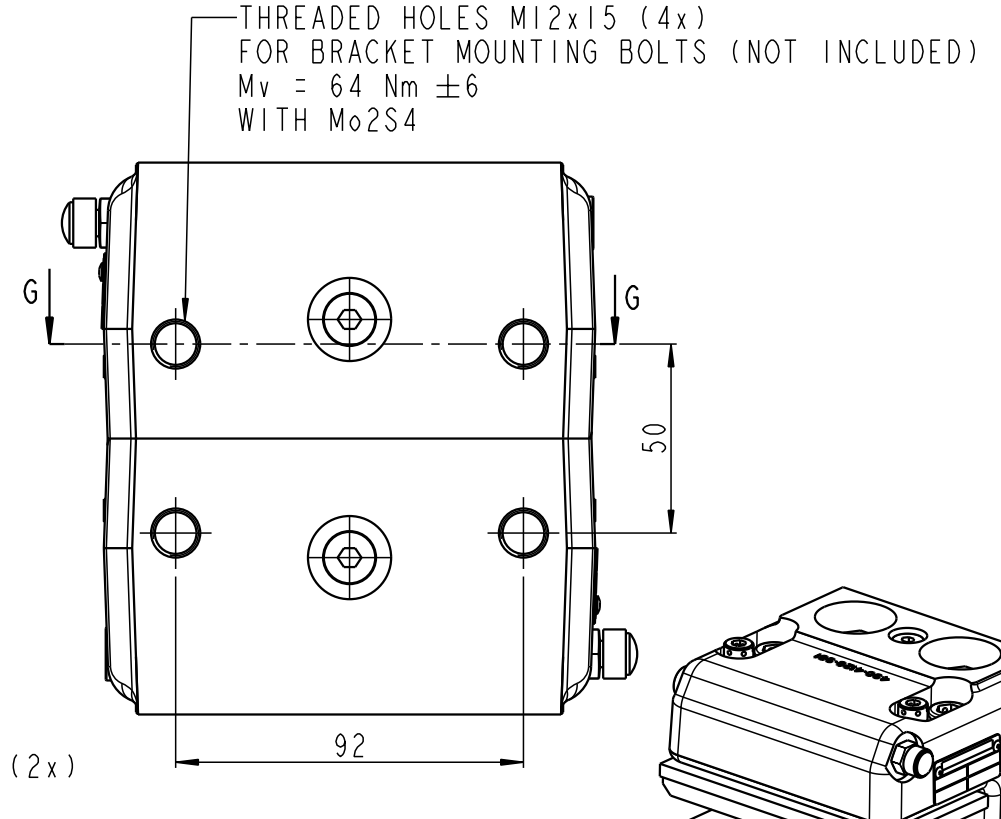
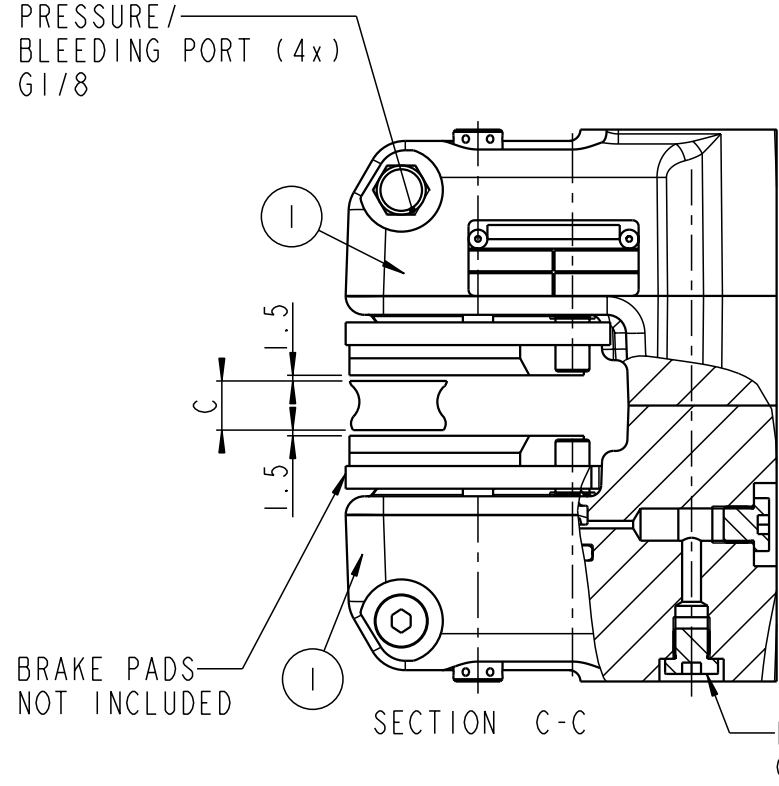
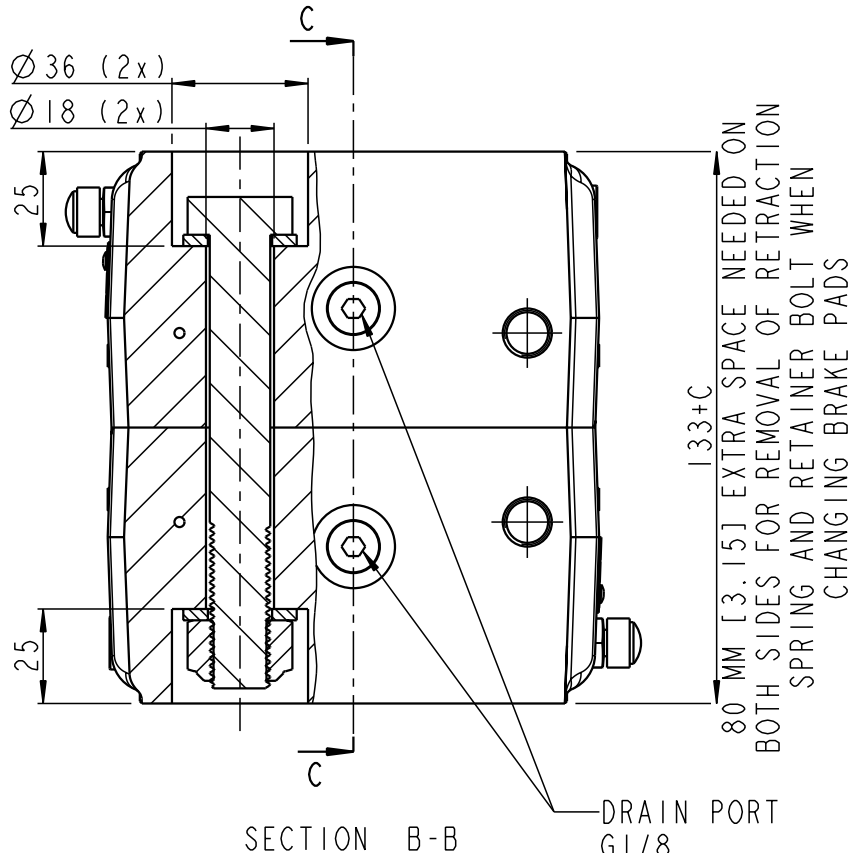


REV. C 96720 SFR 21.05.2014
 REV. D 98298 SFR 05.01.2016
 REV. E 98522 SFR 15.04.2016

THIS DRAWING/DRAWING REMAINS THE PROPERTY OF SVENDBORG BRAKES AND MUST NOT BE COPIED WITHOUT OUR PRIOR WRITTEN PERMISSION. AND THE CONTENTS THEREOF MUST NOT BE DISCLOSED TO ANY THIRD PARTY. NOR BE USED FOR ANY UNAUTHORIZED PURPOSE. LEGAL ACTION WILL BE TAKEN IN THE EVENT OF CONTRAVENTION.



MAX. PRESSURE: 165 BAR
 DISC THICKNESS [C]: 13 MM (WITHOUT SPACER)
 WEIGHT: 11 KG

| | | | |
|--|------------------------------------|-----------------------------|-----------------|
| TOLERANCES FOR INTERNAL AND EXTERNAL RADII, ANGLES AND CHAMFERS ACCORDING TO: ISO 2768 - mK | | ALL DIMENSIONS IN mm | DRAWING STATUS |
| DESCRIPTION | BSAB 50-S13-201 4x M12 MOUNTING | DRAWING NO. 490-4430-801 | Released |
| DRAWN BY RCH | DATE 11.05.2011 | | |
| DRAWING NO. 490-4430-801 | | SCALE 1:2 (A3) | |
| | | SHEET 1 OF 1 SHEETS | |