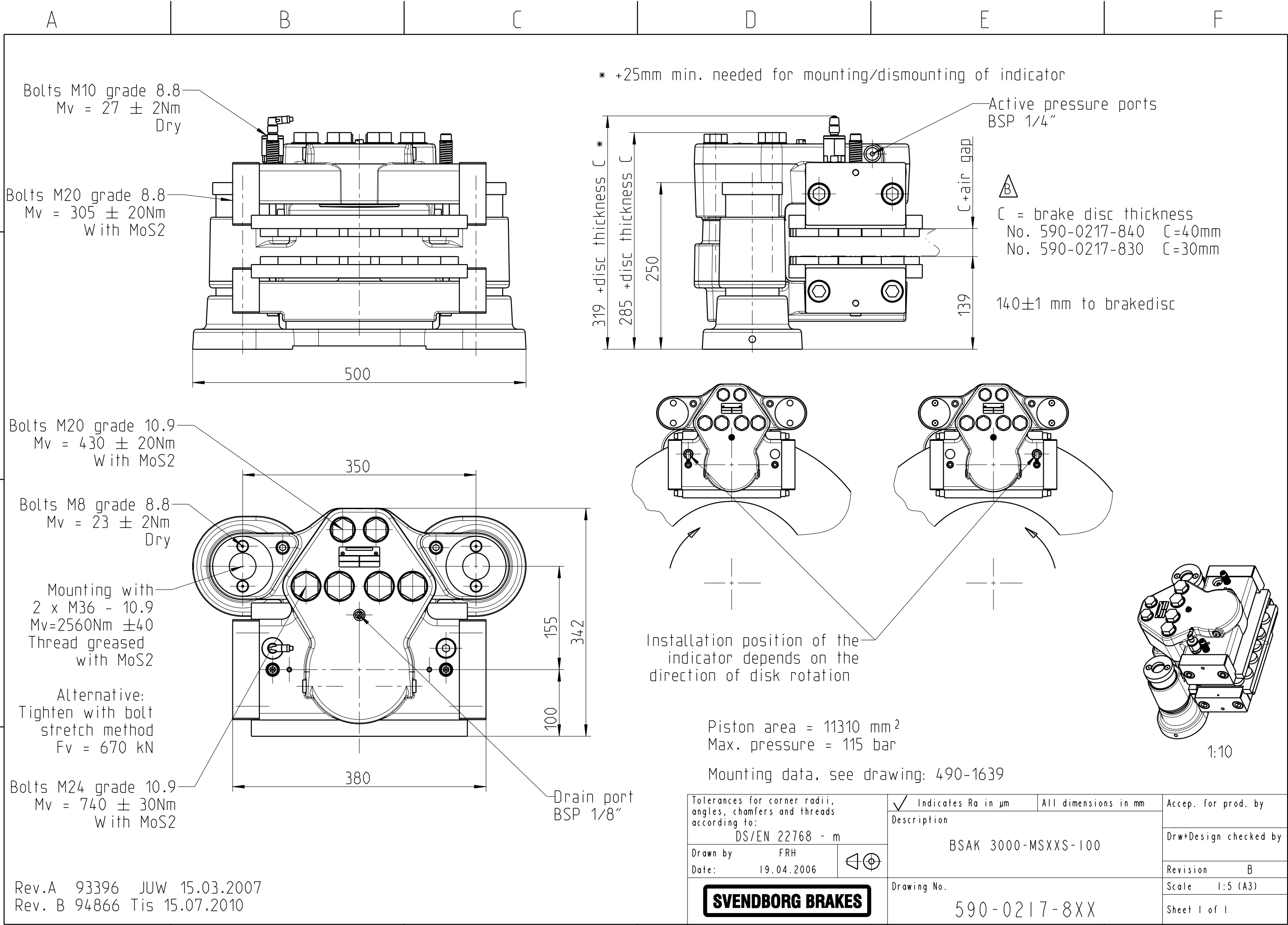


This drawing / document remains the property of Svendborg Brakes A/S and must not be copied without our prior written permission, and the contents thereof must not be disclosed to any third party, nor be used for any unauthorized purpose. Legal action will be taken in the event of contravention.

Denmark: Jernbanevej 9, 5882 Vejstrup, Denmark  
 Germany: Kirchnerstrasse 42, D-32257 Bünde, Germany



Rev.A 93396 JUW 15.03.2007  
 Rev. B 94866 Tis 15.07.2010

Svendborg Brakes A/S reserves the right to revise this document without prior notification or obligation

Tolerances for corner radii, angles, chamfers and threads according to: DS/EN 22768 - m		✓ Indicates Ra in $\mu\text{m}$	All dimensions in mm	Accep. for prod. by
Drawn by FRH		Description BSAK 3000-MSXXS-100		Drw+Design checked by
Date: 19.04.2006		Drawing No. 590-0217-8XX		Revision B
				Scale 1:5 (A3)
				Sheet 1 of 1

**CONFIDENTIAL**

CHECKED by tis  
 18-08-2010  
 RELEASED  
 by tis