

Svendborg Brakes A/S, Denmark
 CVR / VAT: 13256438
 www.svendborg-brakes.com

This drawing / document remains the property of Svendborg Brakes A/S and must not be copied without our prior written permission, and the contents thereof must not be disclosed to any third party, nor be used for any unauthorized purpose. Legal action will be taken in the event of contravention.

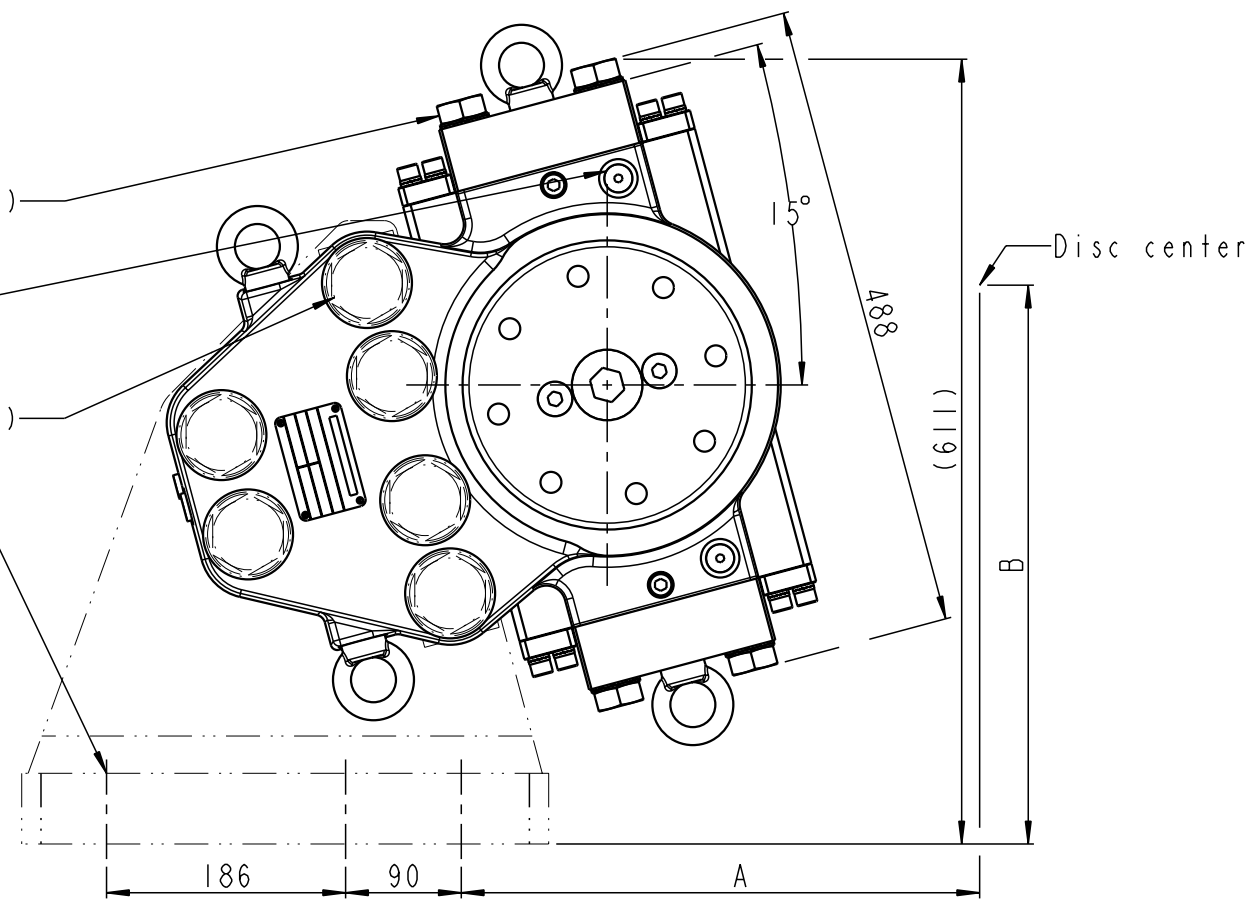
Rev. F 96244 MKN 11.04.2013
 Rev. G 96244 MKN 18.04.2013
 Rev. H 96814 SFR 04.12.2013

Bolts M24 Grade 10.9 (8x)
 Mv= 740 ± 30Nm
 With MoS2

Pressure port
 3/8" BSP

Bolts M36 grade 10.9 (6x)
 Mv=2560±150 Nm
 With MoS2

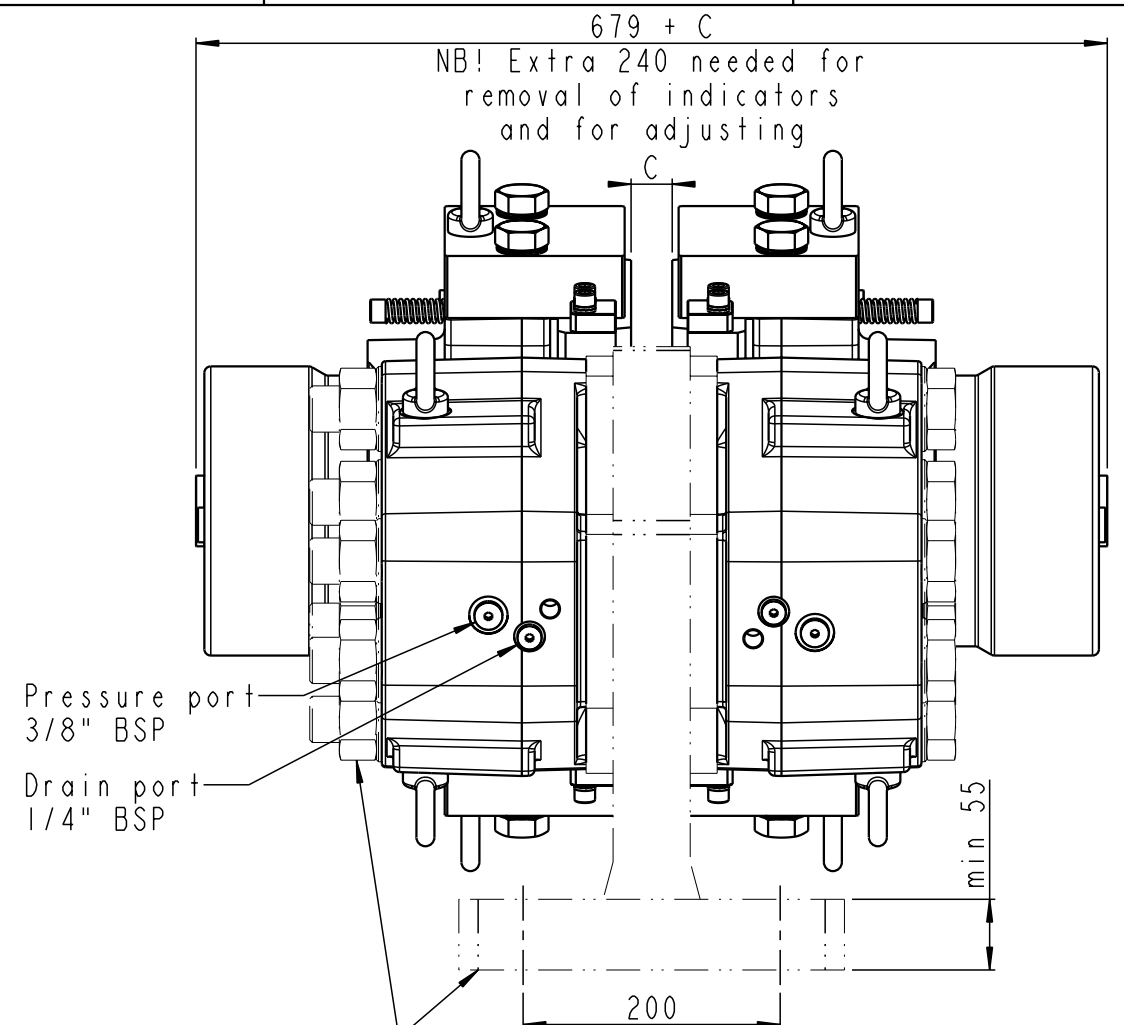
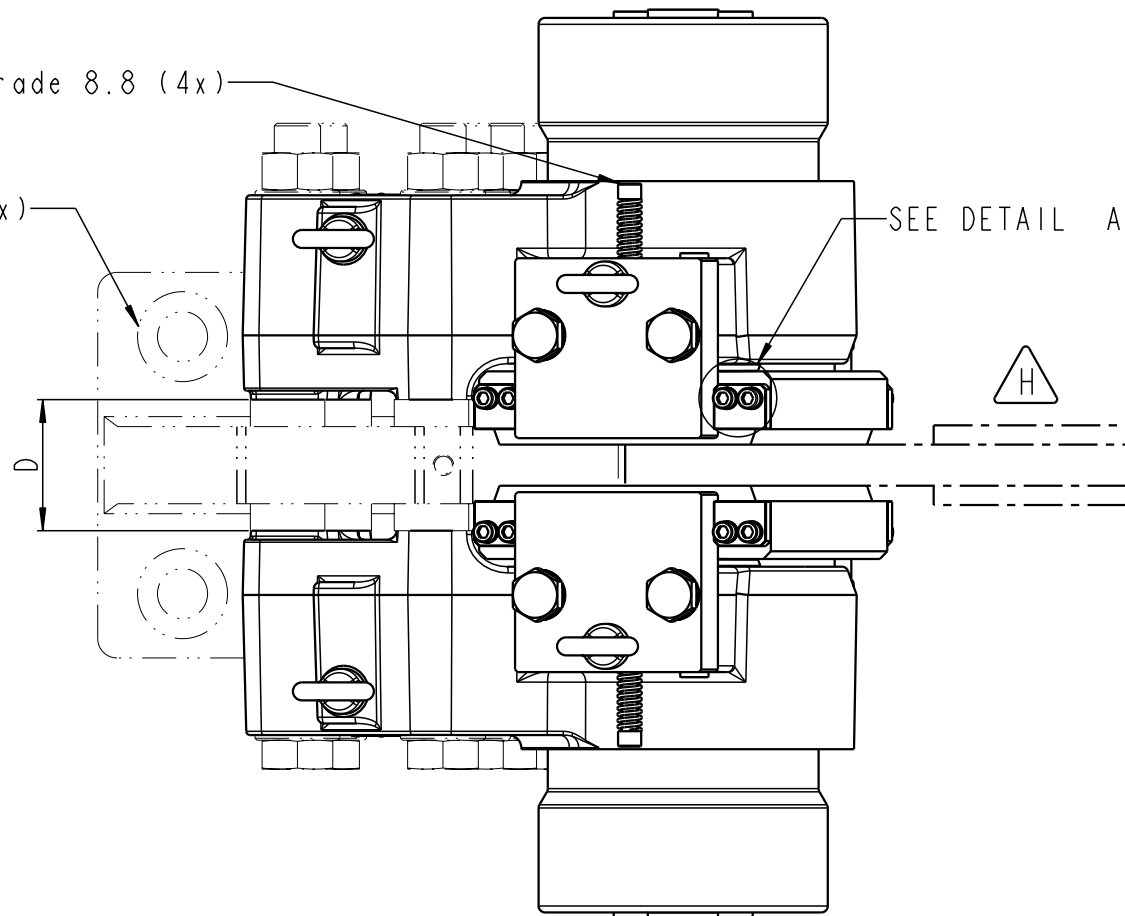
Ø39 holes (6x)
 f. M36 bolts grade 10.9
 Mv=2560±150Nm
 (bolts are not included)



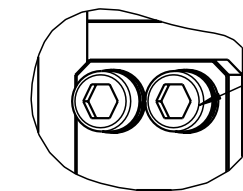
Bolts M12 Grade 8.8 (4x)
 Mv=52 ± 6Nm
 Dry

CS Ø70x1 (6x)

SEE DETAIL A



Bracket and mounting bolts are not included in brake



Bolts for pad guides
 M10 Grade 8.8
 Mv = 45 ± 6 Nm
 Dry

DETAIL A SCALE 1:2

Distance from center of disc (R= Radius of disc)

$A = 0.966(R-115) + 114$

$B = 0.259(R-115) + 357$

C = Disc thickness

D = Mounting surface = C + 72

Mounting data, see drawing 490 3633

Weight: Approx. 425 kg incl. brake pads (excl. bracket and bolts)

Tolerances for internal and external radii, angles and chamfers according to: ISO 2768 - mK	✓ Indicates Ra in µm	All dimensions in mm	Drawing status
	Description		Released
Drawn by R.R.Hansen	BSFK 500-S-100	Revision	H
Date: 27.04.2006		Scale	17:100 (A3)
SVENDBORG BRAKES	Drawing No.	490-3514	
		Sheet 1 of 1 sheets	

Svendborg Brakes A/S reserves the right to revise this document without prior notification or obligation

CONFIDENTIAL

RELEASED
by sfr