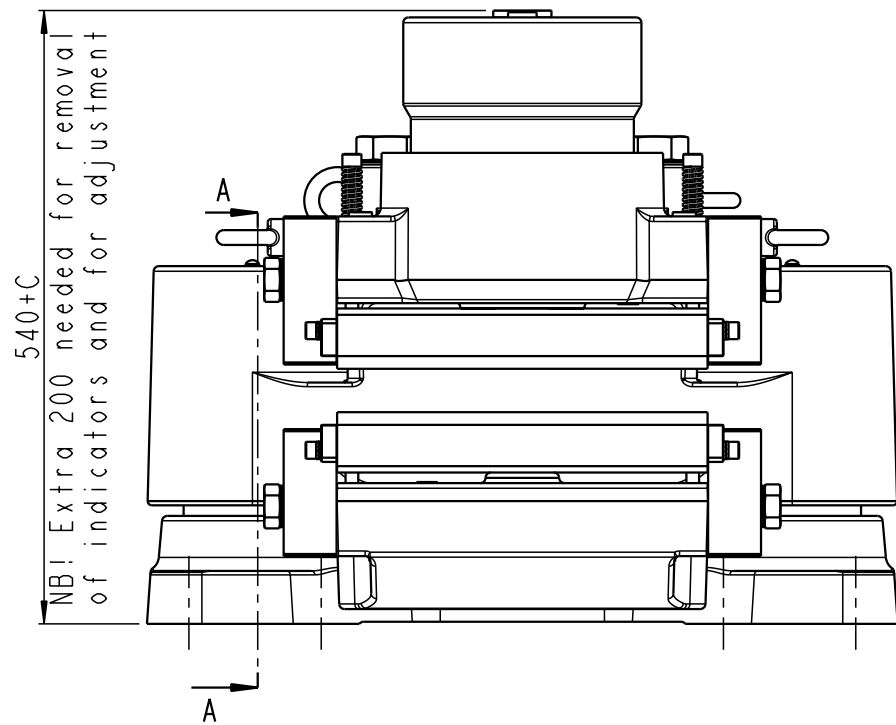


Rev. B 93290 SFR 12.10.2006
 Rev. C 93580 JEA 14.11.2007
 Rev. D 97144 SFR 28.05.2014

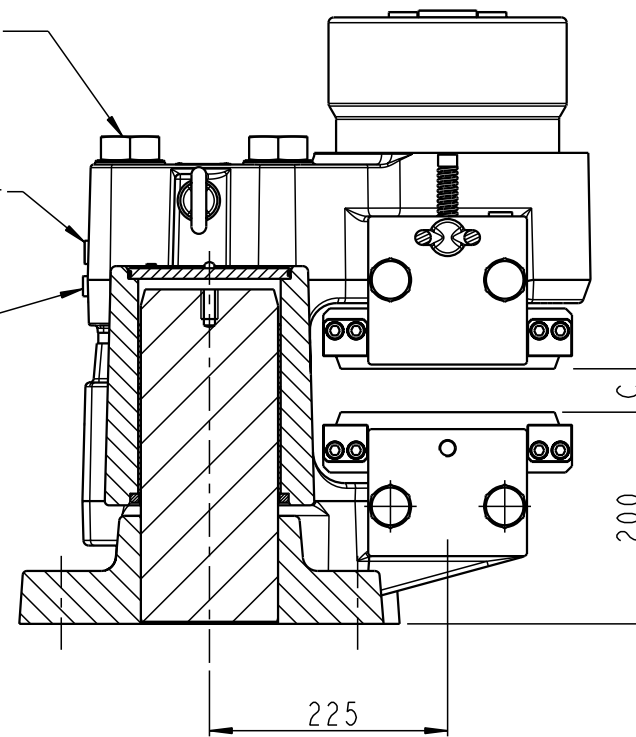


M24 (8x) grade 10.9
 Mv=740 ±30 Nm
 With MoS2

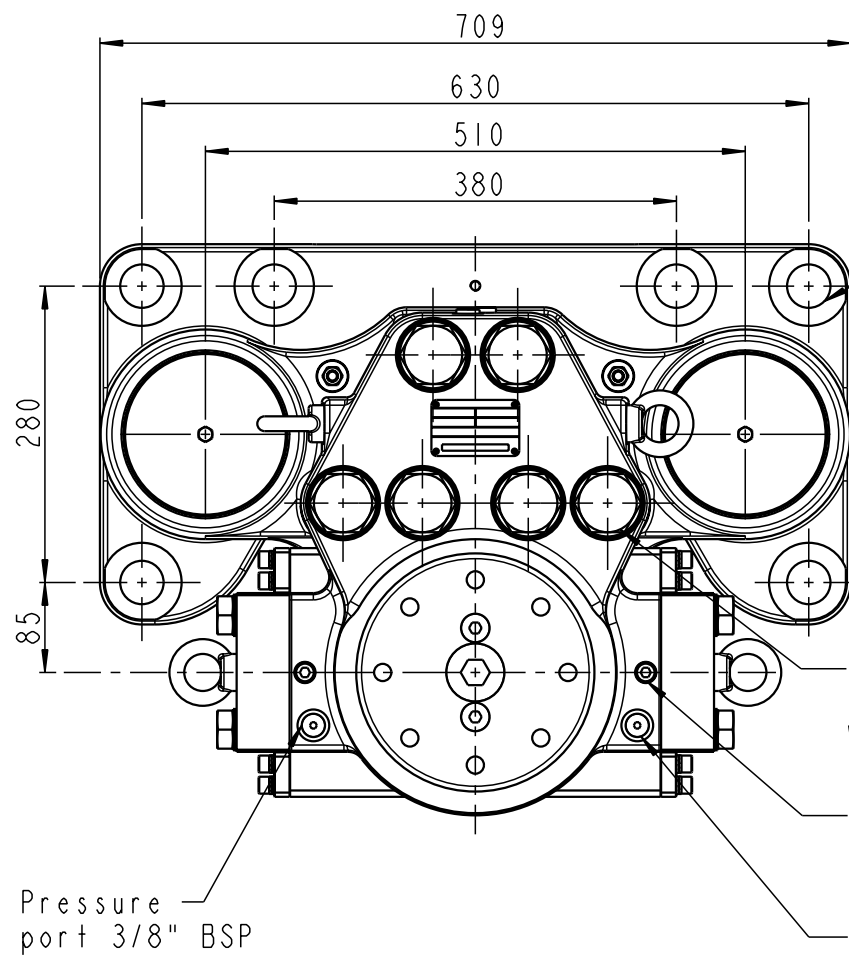
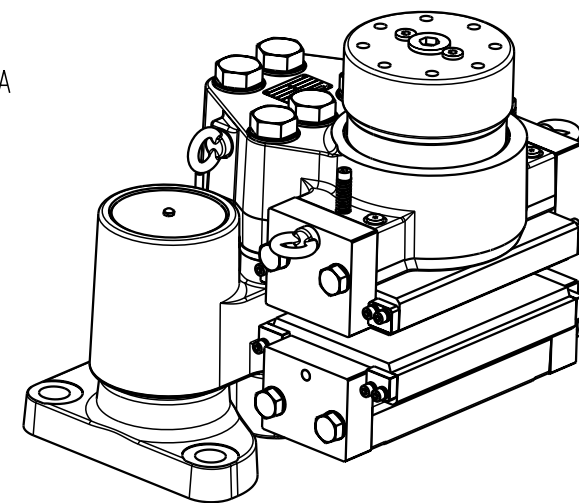
Pressure port
 3/8" BSP

Drain port
 1/4" BSP

Brake disc thickness = 30-60



SECTION A-A



D
 For M39 (6x) grade 10.9
 Mv=3250 ±150 Nm
 With MoS2
 (Not included in brake)

M36 (6x) grade 10.9
 Mv=2560 ±40 Nm
 With MoS2

M12 (2x) grade 8.8
 Mv=52 ± 6Nm
 Dry

Pressure port
 3/8" BSP

Pressure port
 3/8" BSP

Brake can move on shafts:
 Without positioning system mounted: 10mm upwards and 5mm downwards from nominal mounting dimension (200)
 With standard positioning system mounted: 5mm upwards and 1/2 air gap downwards from nominal mounting dimension (200)

C = Brake disc thickness
 Mounting data, see drawing: 490-3628
 Weight: Approx. 545 kg incl. brake pads

Tolerances for internal and external radii, angles and chamfers according to: ISO 2768 - mK		✓ Indicates Ra in μm	All dimensions in mm	Drawing status
Description		BSFK 500-MSxxS-200		Released
Drawn by RRH	Date: 27.04.2006	Drawing No. 490-3490		
SVENDBORG BRAKES				Revision D
				Scale 7:50 (A3)
				Sheet 1 of 1 sheets

Svendborg Brakes ApS, Denmark
 CVR / VAT: 13256438
 www.svendborg-brakes.com

This drawing / document remains the property of Svendborg Brakes and must not be copied without our prior written permission, and the contents thereof must not be disclosed to any third party, nor be used for any unauthorized purpose. Legal action will be taken in the event of contravention.

Svendborg Brakes reserves the right to revise this document without prior notification or obligation

CONFIDENTIAL

RELEASED
 by sasja.frisk