

Denmark: Jernbanevej 9, 5882 Vejstrup, Denmark  
 Germany: Kirchnerstrasse 42, D-32257 Bünde, Germany

This drawing/document is the sole property of  
 Svendborg Brakes A/S and may not be copied,  
 given to a third party or used for unauthorized purpose

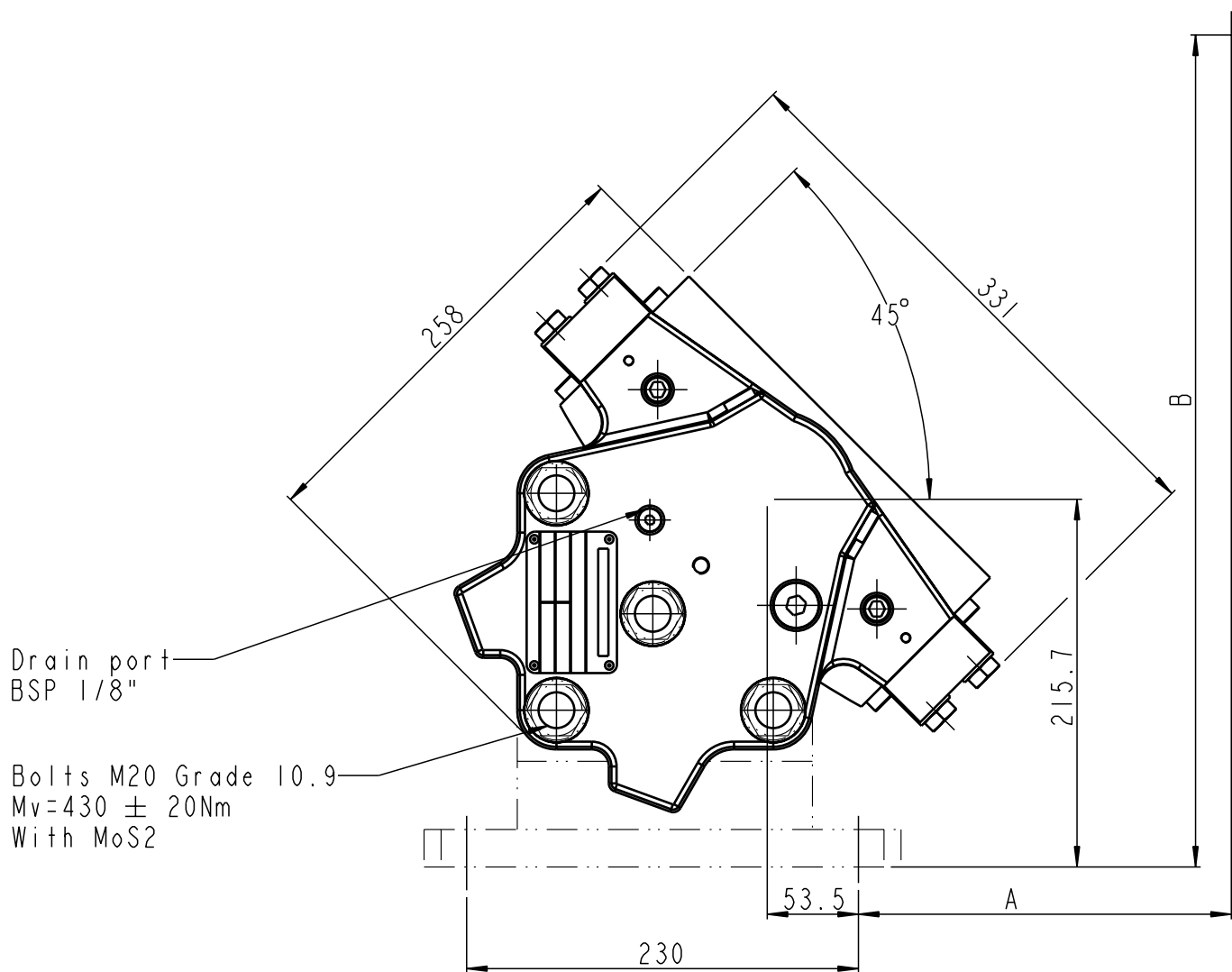
A B C D E F

1

2

3

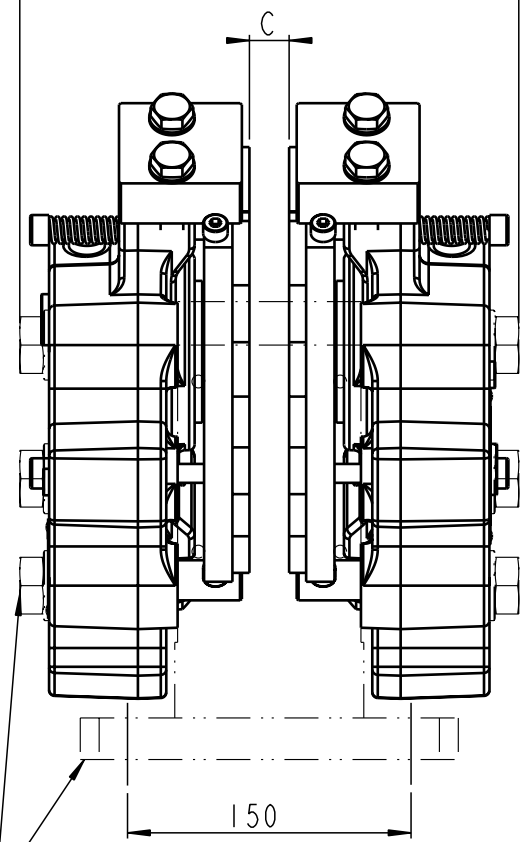
4



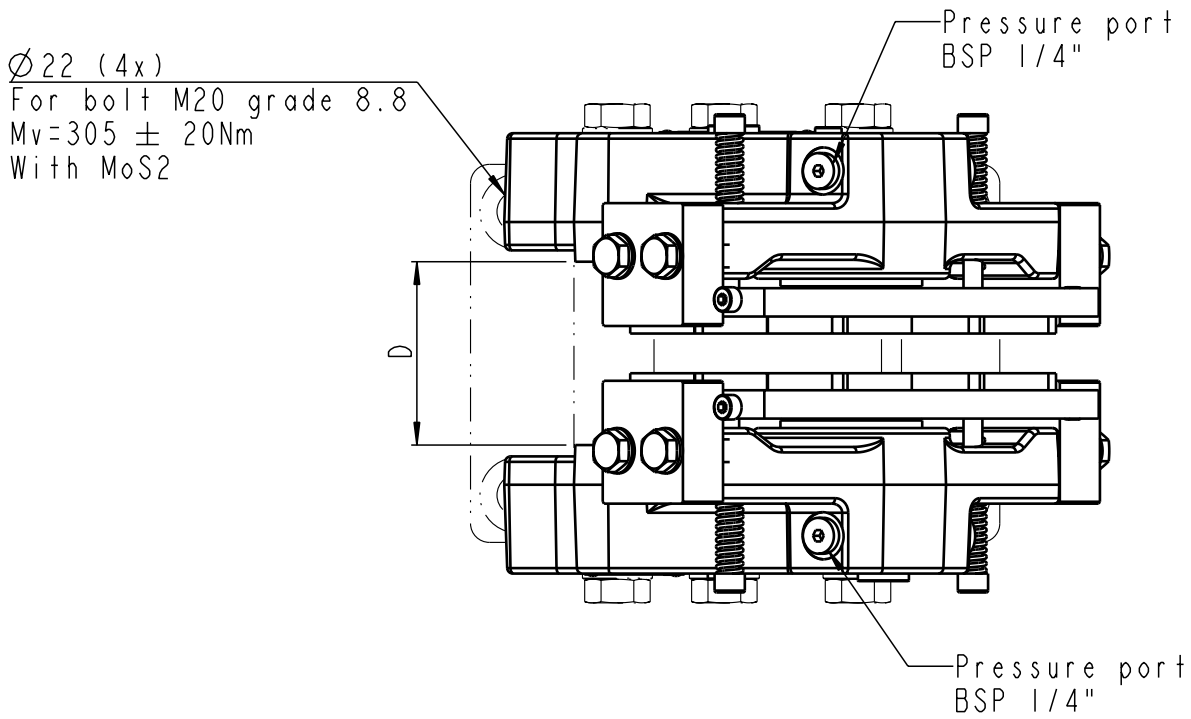
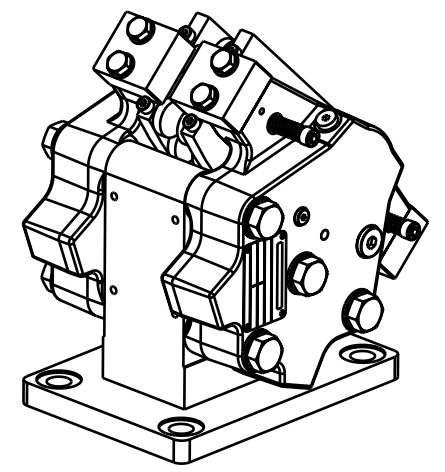
Drain port  
 BSP 1/8"

Bolts M20 Grade 10.9  
 Mv=430 ± 20Nm  
 With MoS2

244 + C  
 NB! Extra 360 needed for  
 removal of indicators



Bracket and mounting bolts  
 are not included in brake



Distance from center of disc (R=Radius of disc)  
 A = 0.707(R - 65) - 53.5  
 B = 0.707(R - 65) + 215.7  
 C = Disc thickness  
 D = Mounting surface width = C + 77  
 Mounting drawing, see drawing 490-3463  
 Weight: Approx. 50 kg incl. brake pads (excl. bracket and bolts)

Tolerances for corner radii, angles, chamfers and threads according to: DS/EN 22768 - m		✓ Indicates Ra in µm	All dimensions in mm	Accep. for prod. by
Description		BSAK 300-S-200		Drwt+Design checked by
Drawn by R.R.Hansen	Date: 05.08.2005	Drawing No. 490-3444-801		Revision -
<b>SVENDBORG BRAKES</b>		Scale 1:4 (A3)		Sheet 1 of 1 sheets

Svendborg Brakes A/S reserves the right to revise this document without prior notification or obligation

**CONFIDENTIAL**

CHECKED by SYSTEM 12-04-2010  
 RELEASED by nch