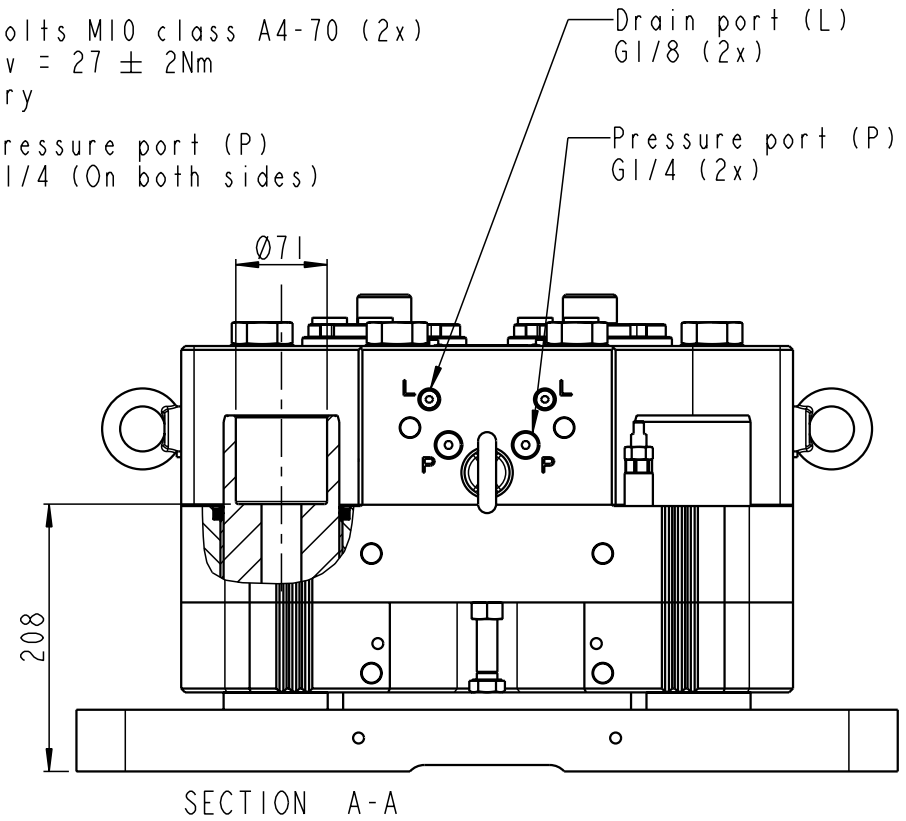
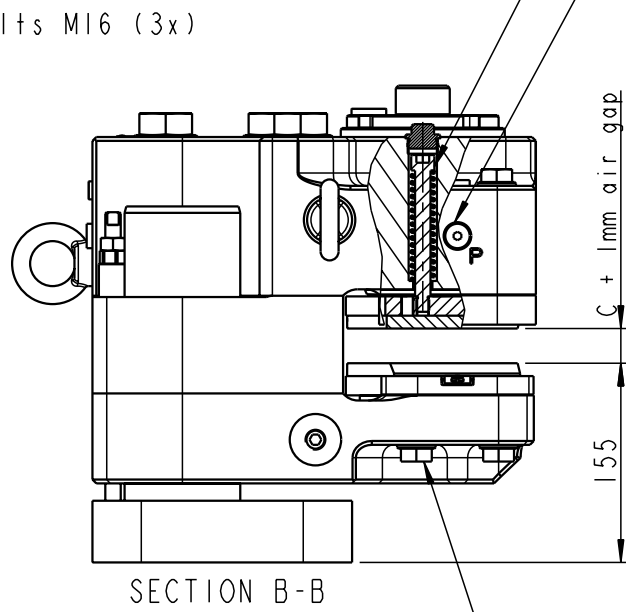
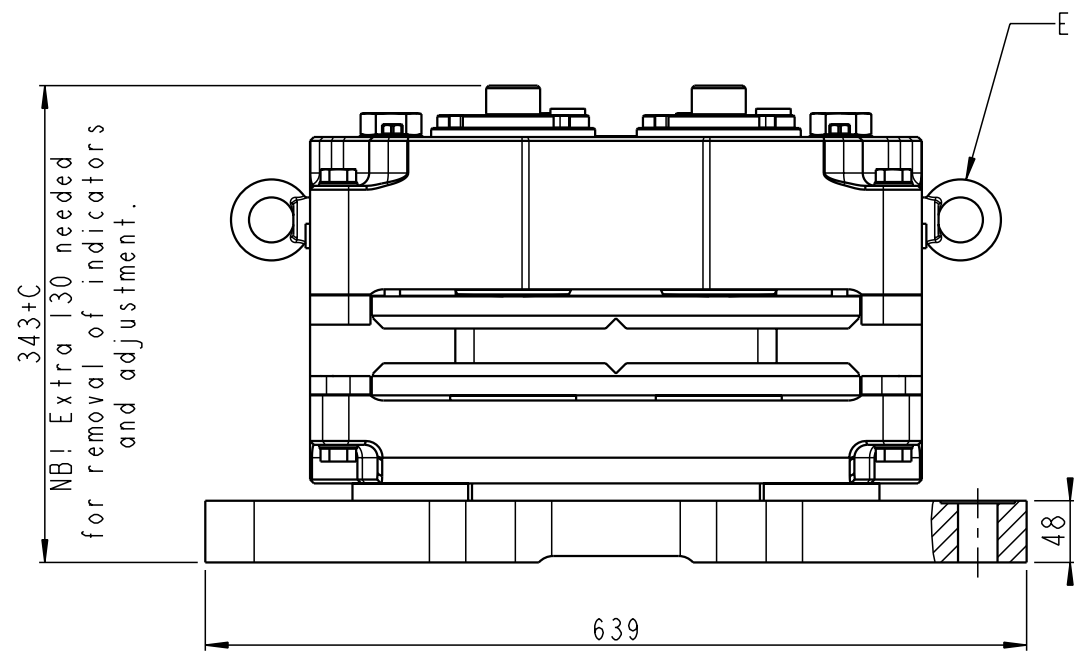
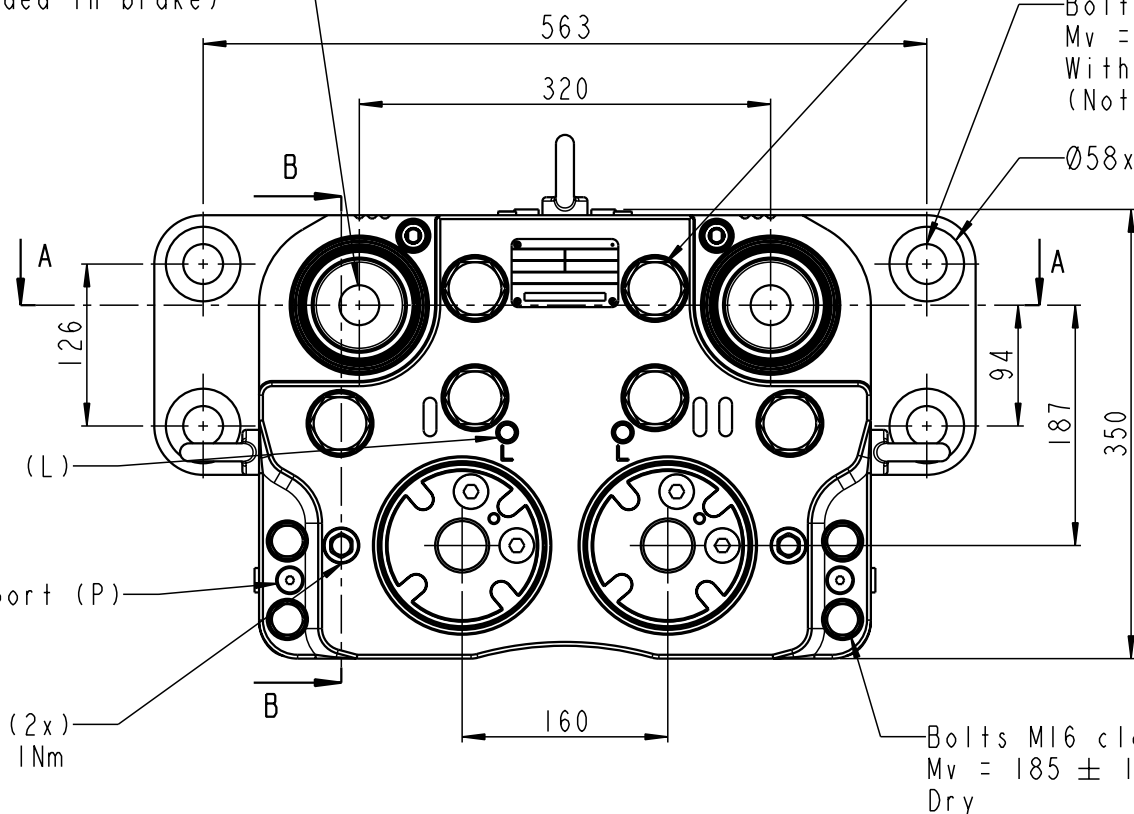


REV. E 97882 RMJ 04-06-2015  
 REV. F 98078 RMJ 09-09-2015  
 REV. G 102885 RMJ 28-08-2023

THIS DRAWING/DRAWING REMAINS THE PROPERTY OF SVENDBORG BRAKES AND MUST NOT BE COPIED WITHOUT OUR PRIOR WRITTEN PERMISSION. AND THE CONTENTS THEREOF MUST NOT BE DISCLOSED TO ANY THIRD PARTY. NOR BE USED FOR ANY UNAUTHORIZED PURPOSE. LEGAL ACTION WILL BE TAKEN IN THE EVENT OF CONTRAVENTION.



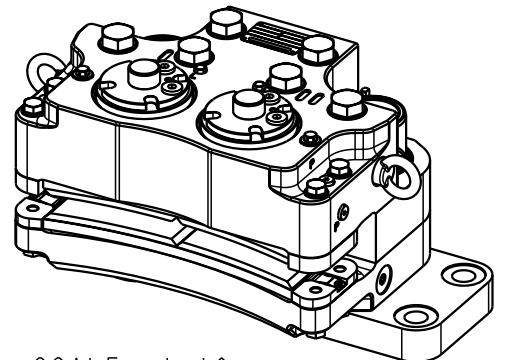
Bolts M30 class 10.9 (2x)  
 Mv = 1740 ± 50Nm  
 With MoS2  
 (Not included in brake)



Bolts M27 class 10.9 (6x)  
 Mv = 1080 ± 50Nm  
 With MoS2

Bolts M30 class 10.9 (4x)  
 Mv = 1740 ± 50Nm  
 With MoS2  
 (Not included in brake)

Ø58x2mm Counterbore



SCALE 1:10

Brake can move on shafts:  
 Without positioning system mounted: 10mm upwards and 5mm downwards from nominal mounting dimension (155)  
 With standard positioning system mounted: 1mm upwards and 1/2 air gap downwards from nominal mounting dimension (155)

C = Brake disc thickness (From 26 to 77mm depending on spacer thickness)  
 Mounting data, see drawing: 490-5470  
 Weight: Approx. 230-270 kg incl. brake pads

TOLERANCES FOR INTERNAL AND EXTERNAL RADII, ANGLES AND CHAMFERS ACCORDING TO: ISO 2768 - mK		ALL DIMENSIONS IN mm	DRAWING STATUS
DRAWN BY ROL		DESCRIPTION BSF1 D300-XXX-MSXXX-101	<b>Released</b>
DATE 08-05-2014			
DRAWING NO. 490-5010		SCALE 17:100 (A3)	
SVENDBORG BRAKES A REGAL REXNORD BRAND		SHEET 1 OF 1 SHEETS	

(L): Drain ports, must not be pressurized.  
 (P): Pressure ports.