



Container Handling Solutions

OPTIMIZING CRANE SYSTEMS FOR MAXIMUM
SAFETY, CONTROL, AND EFFICIENCY



REGAL REXNORD **MISSION**

Regal Rexnord is committed to creating a better tomorrow with sustainable solutions that power, transit and control motion. For us, this means creating innovative solutions that focus on both customer needs and our commitment to sustainability.

Regal Rexnord provides solutions that help our customers increase their productivity by maximizing efficiency. By enhancing the efficiency of power transmission systems through reliable components, we significantly reduce downtime due to component failure. Our industry expertise focuses on minimizing downtime through the development of highly-reliable, highly-efficient solutions that improves overall productivity and output. This approach ensures our customers benefit from increased uptime while simplifying overall system design.

OPTIMIZING CRANE SYSTEMS FOR MAXIMUM SAFETY, CONTROL, AND EFFICIENCY

From ship-to-shore (STS) cranes to straddle carriers and mobile container cranes, Regal Rexnord's comprehensive portfolio of power transmission solutions delivers performance where it matters most. In port operations, reliability and performance aren't optional, they're essential. What sets Regal Rexnord apart is our ability to unify multiple leading brands into a single, fully integrated powertrain solution. We combine brakes, couplings, gear drives, gear motors, and monitoring systems into one engineered package managed under one commercial interface. This streamlined approach simplifies procurement, accelerates project timelines, and delivers a complete, optimized solution reducing complexity and points of failure.

- Svendborg Brakes™
- Jaure™
- Stromag™
- Stearns™
- CENTA™
- Falk™
- Bauer™ Gear Motor
- Perceptiv™

Extensive Port Crane Expertise, Exceptional Product Performance

Our customers rely on Regal Rexnord's deep industry knowledge, collaborative engineering, and high-performance products to ensure safe and efficient port operations.

Combating marine corrosion is a challenge we overcome with advanced materials, protective coatings, and robust design. Our products are built to perform where extreme heat, humidity, dust, vibration, and saltwater are part of everyday conditions.

Container Handling Solutions

SMART, EFFICIENT, AND BUILT FOR EXTREME DEMANDS

From ship-to-shore cranes to mobile harbor cranes and rail-mounted stacking systems, Regal Rexnord delivers more than just robust, high-performance components that withstand harsh marine environments and heavy-duty cycles. We provide a fully integrated powertrain solution for the entire spectrum of port crane applications. Instead of sourcing separate parts, our unified solution combines brakes, couplings, motors, gearboxes, motor brakes, and monitoring technology into one package. This architecture ensures precise load control, synchronized motion, and optimized lifecycle performance while streamlining procurement and maintenance. A single point of contact reduces system complexity, mitigates integration delays, and minimizes operational risk.

Recognizing the critical role ports play in global logistics and supply chains, Regal Rexnord designs solutions to comply with stringent safety standards while ensuring maximum equipment availability. Whether handling bulk cargo or containerized freight, our integrated solutions are engineered to deliver maximum safety, uptime, and long-term reliability, helping maintain uninterrupted material flow moving without compromise.



SOLUTIONS FOR

Ship-to-Shore Cranes

Gantry Cranes

Straddle Carriers

Mobile Container Cranes

Ship Loaders and
Unloaders

PRODUCTS SUPPLIED

Service Brakes

Emergency Brakes

Rail Clamps, Rail Brakes &
Wheel Brakes

Motor Brakes

Couplings

Gearing

Hydraulic Buffers

Geared Cam Limit
Switches

Monitoring Solutions

 **RegalRexnord™**

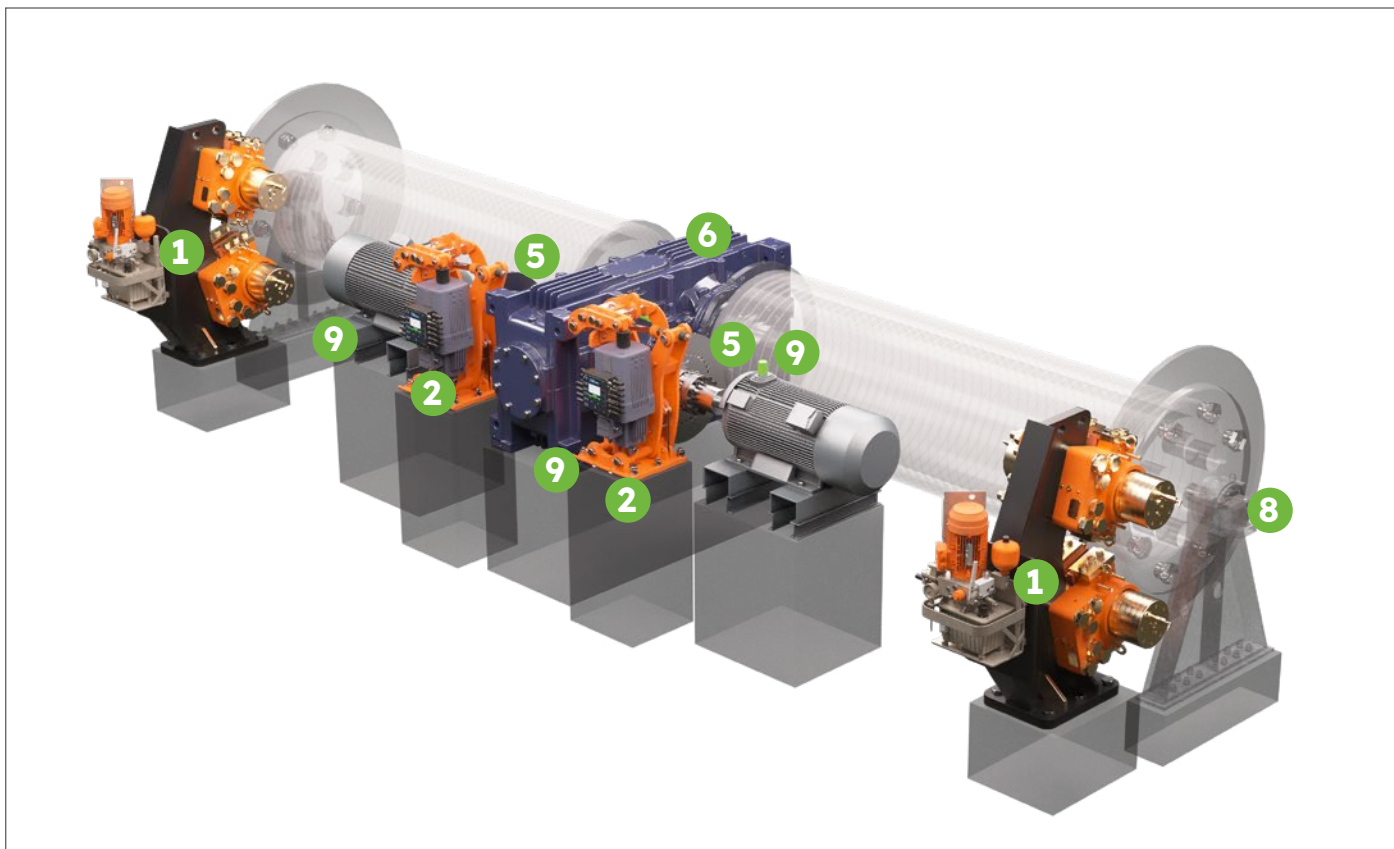


**BRANDS
YOU KNOW,
PERFORMANCE
YOU TRUST.**

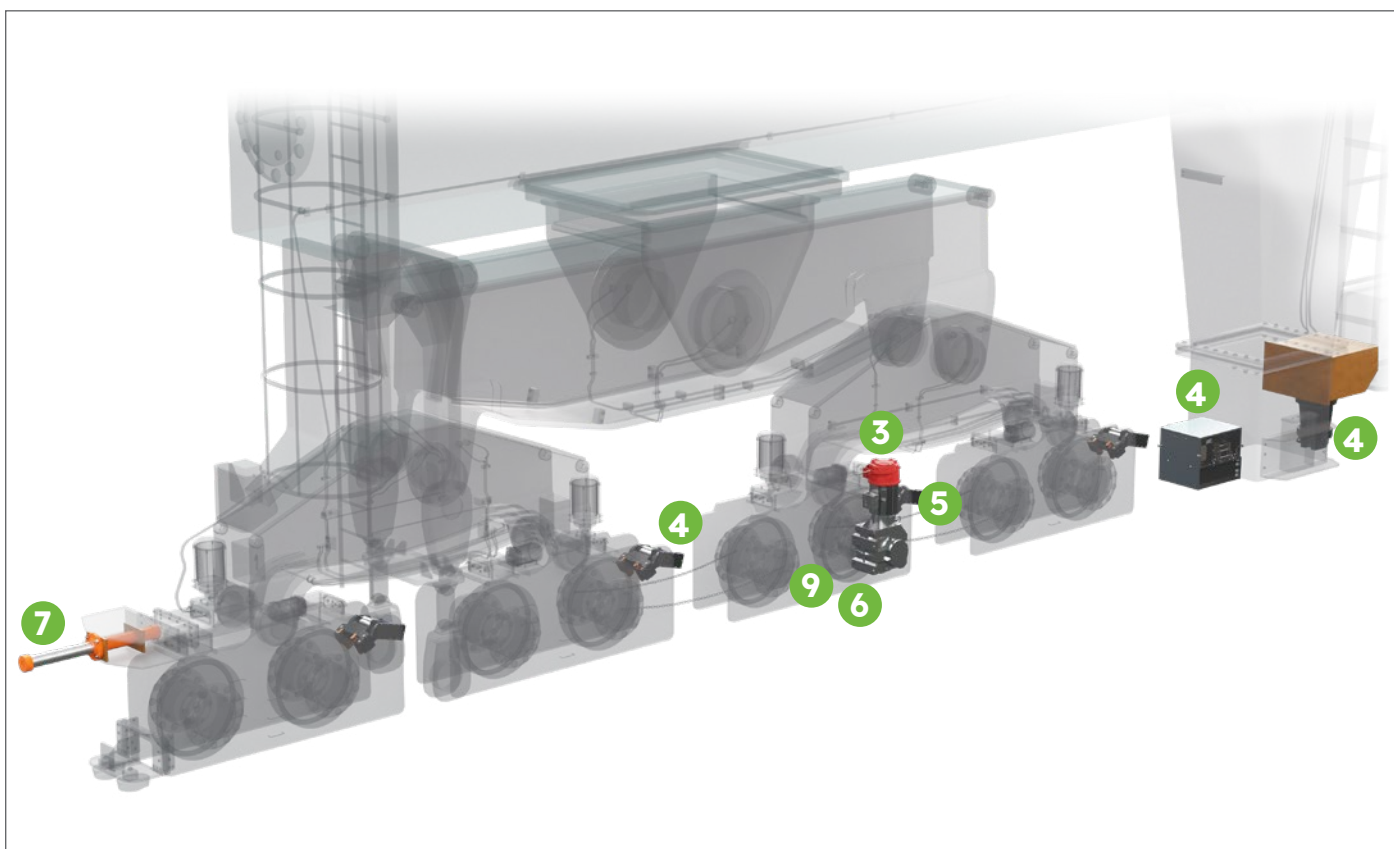
**DRIVING PORT POWERTRAIN
INNOVATION. SMARTER, CLEANER,
AND FULLY CONNECTED.**

Regal Rexnord Products	Ship to Shore (STS) Cranes	Gantry Cranes	Straddle Carriers	Mobile Container Cranes	Ship Loaders & Unloaders
ELECTROMAGNETIC MOTOR BRAKES					
Stromag™ HPB Electromagnetic Motor Brakes	●	●	●	●	●
Stearns™ AAB 361, SAB 82,000 & SAB 86,000 Electromagnetic Motor Brakes	●	●	●	●	●
EMERGENCY BRAKES					
Svendborg Brakes™ BSFJ 3000 Hydraulic Caliper Brakes	●	●	●	●	●
Svendborg Brakes BSFL 500 Hydraulic Caliper Brakes	●	●	●	●	●
Svendborg Brakes BSFC 600 Hydraulic Caliper Brakes	●	●	●	●	●
Svendborg Brakes Hydraulic Power Units SBH 1000	●	●	●	●	●
Svendborg Brakes Hydraulic Power Units SBH 3000	●	●	●	●	●
Svendborg BSFI, BSFH, BSFK & BSFB Series Hydraulic Caliper Brakes	●	●	●	●	●
SERVICE BRAKES					
Svendborg Brakes FAV Thruster Disc Brakes	●	●	●	●	●
Svendborg Brakes SDB Thruster Drum Brakes	●	●	●	●	●
Stromag PT Series Electro Hydraulic Thrusters	●	●	●	●	●
RAIL CLAMPS, RAIL & WHEEL BRAKES					
Svendborg Brakes Limited Rail Clamps (LRC)	●	●		●	●
Svendborg Brakes Retractable Rail Clamps (RRC)	●	●		●	●
Svendborg Brakes Guided Rail Clamps (GRC)	●	●		●	●
Svendborg Brakes Rail Brake (RB)	●	●		●	●
Svendborg Brakes Electric Wheel Brakes (EWB)	●	●		●	●
Svendborg Brakes Hydraulic Wheel Brakes (HWB)	●	●		●	●
COUPLINGS					
Jaure™ MTF5 Gear Couplings with Brake Disc	●	●	●		●
Jaure BARFLEX™ TCBR Barrel Couplings	●	●	●		●
Jaure Lamidisc™ Disc Couplings	●	●	●		●
Jaure MT Gear Couplings	●	●	●		●
Falk™ Lifelign Gear Couplings	●	●	●		●
Stromag SDKL - SVKL Torsionally Soft Couplings	●	●	●		●
Stromag Periflex™ Torsionally Soft Couplings				●	
Stromag SVT Drum Couplings	●	●	●		●
CENTAFLEX™-A Torsionally Soft Couplings				●	
CENTAFLEX-TIR Torsionally Soft Couplings				●	
GEARBOXES, GEAR DRIVES & GEAR MOTORS					
Falk V-Class and A+ Parallel Shaft Gear Drives	●	●		●	●
Bauer™ Gear Motor BF Series Parallel Shaft Gear Motors	●	●	●	●	●
Bauer Gear Motor BK Series Helical Bevel Gear Motors	●	●	●	●	●
HYDRAULIC BUFFERS					
Svendborg Brakes PHC Hydraulic Buffers	●	●			●
GEARED CAM LIMIT SWITCHES					
Stromag Series 51 Planetary Gears	●	●	●		●
Stromag HGE Worm/Lever Gears	●	●		●	●
Stromag Light Cam™ and Light Cam M Worm Gears	●	●		●	●
MONITORING SOLUTIONS					
Perceptiv™ Predictive Maintenance Solutions	●				●
Svendborg Brakes SOBO® iQ HPU Monitoring & Brake Control	●	●	●	●	●
Stromag SIBRAKE Brake Monitoring	●	●	●	●	●
Stromag SIMAN – HPU Safety Intelligent Manager	●	●	●	●	●
Stromag SIDEOS One – Module Speed Monitoring	●	●	●	●	●

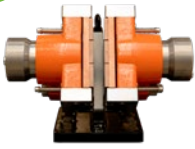
Main & Boom Hoist



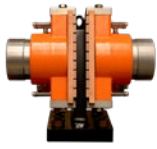
Rails



1 EMERGENCY BRAKES



Svendsborg™ Brakes BSFJ 3000 Hydraulic Caliper Brakes



Svendsborg Brakes BSFL 500 Hydraulic Caliper Brakes



Svendsborg Brakes BSFC 600 Hydraulic Caliper Brakes



Svendsborg Brakes SBH 1000 Hydraulic Power Units



Svendsborg Brakes SBH 3000 Hydraulic Power Units

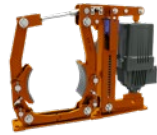


Svendsborg BSFI, BSFH, BSFK & BSFB Series Hydraulic Caliper Brakes

2 SERVICE BRAKES



Svendsborg Brakes FAV Thruster Disc Brakes



Svendsborg Brakes SDB Thruster Drum Brakes



Stromag™ PT Series Electrohydraulic Thrusters

3 ELECTROMAGNETIC MOTOR BRAKES



Stromag HPB Series



Stearns™ AAB 361 Series



SAB SAB 82,000 & 86,000 Series

4 RAIL CLAMPS, RAIL BRAKES, & WHEEL BRAKES



Svendsborg Brakes LRC Limited Rail Clamps



Svendsborg Brakes RRC Retractable Rail Clamps



Svendsborg Brakes GRC Guided Rail Clamps



Svendsborg Brakes RB Rail Brakes



Svendsborg Brakes EWB Electric Wheel Brakes



Svendsborg Brakes HWB Hydraulic Wheel Brakes

5 COUPLINGS



Jaure™ MTF5 Gear Couplings with Brake Disc



Jaure BARFLEX TCBR Barrel Couplings



Jaure Lamidisc Disc Coupling



Jaure MT Gear Couplings



Falk™ Lifelign Gear Couplings



Stromag Periflex Torsionally Soft Couplings



Stromag SVT Drum Couplings



Stromag SVKL - SDKL Torsionally Soft Couplings



CENTAFLEX-A™ Torsionally Soft Couplings



CENTAFLEX-TIR™ Torsionally Soft Couplings

6 GEARBOXES, GEAR DRIVES & GEAR MOTORS



Falk™ V-Class & A+ Parallel Shaft Gear Drives



Bauer™ Gear Motor BF Series Parallel Shaft Gear Motors



Bauer Gear Motor BK Series Helical Bevel Gear Motors

7 HYDRAULIC BUFFERS



Svendsborg Brakes PHC Hydraulic Buffers

8 GEARED CAM LIMIT SWITCHES



Stromag Series 51 Planetary Gears



Stromag HGE Worm/Lever Gears



Stromag Light Cam M & Worm Gears

9 MONITORING SOLUTIONS



Perceptiv™ Predictive Maintenance Solutions



Svendsborg Brakes SOBO® iQ HPU Monitoring & Brake Control



Stromag SIBRAKE Brake Monitoring



Stromag SIMAN - HPU Safety Intelligent Manager



Stromag SIDEOS One - Module Speed Monitoring

We predict a more reliable tomorrow.

Predictive Maintenance for Maximum Uptime

Downtime in ports is costly, and every minute matters. Our Perceptiv™ digital portfolio brings predictive maintenance to life and helps maintenance teams upscale their maintenance practices to proactively manage equipment health. With smart sensors monitoring torque, vibration, current, oil conditions and more, port operators can be made aware of hydraulic health, electrical component wear, and other critical situations. Maintenance teams can act before failures occur, improving safety and keeping vessel schedules on track. This connected powertrain approach is a first for the port industry, and Regal Rexnord is leading the way.

Smarter Braking for Safer Operations

Automation has accelerated demands for intelligent braking systems. Svendborg Brakes has led the transition to smarter braking; we deliver brakes that communicate, react instantly, and provide real-time health data. Already standard in metals, mining, and wind power, we are now deploying this technology to ensure safe, reliable, and efficient crane operations in ports.

Sustainability Through Durability

True sustainability means fewer unplanned maintenance events and longer equipment life. A long-life powertrain is the most sustainable solution and that's what we deliver. Our goal is to maximize uptime and extend lifecycle performance for every customer. Regal Rexnord is transforming port powertrains to be smarter, cleaner, and fully connected.

INTELLIGENT SENSORS



PERCEPTIV™ PLATFORM



RELIABILITY SERVICES



Prescriptive Reports by Reliability Analysts

Severity	Status	Analyst Recommended Actionable Insights
Critical	Red	Excessive vibration, replace bearing
Warning	Yellow	Inspect gearbox and verify lubrication
Advise	Blue	Continue monitoring motor
Good	Green	No issues



GLOBAL SERVICE AND SUPPORT

Keeping your operations running at peak performance anywhere in the world.

Always Within Reach

Whenever you need support, we respond quickly and effectively. We understand the urgency, whether it's spare parts or service assistance. Our dedicated team ensures that no matter where your operations are located, expert help is always just a call away.

- **Minimize Downtime:** Scheduled maintenance programs designed to prevent costly interruptions.
- **Ensure Efficiency:** Timely replacement of worn parts to maintain optimal performance.
- **Upgrade for Excellence:** Evaluate and implement product improvements for the best possible upgrades.
- **Optimize Applications:** Comprehensive audits and management to ensure systems operate at maximum efficiency.
- **Enhance Responsiveness:** Service key components to deliver faster reaction times and reliable performance.

24 | 7
SERVICE
SUPPORT

Your operations deserve more than service; you deserve a partner committed to uptime, reliability, and continuous improvement.

REGAL REXNORD

POWERTRAIN SOLUTIONS

You have challenges. **We have solutions.**

To solve your critical challenges, it is essential to partner with a **global company** with **local resources**, **reputable brands**, and a **proven history** of delivering cost-efficient solutions.



**SIMPLIFIED
SUPPLY CHAIN**

**TRUSTED
ADVISOR**

**APPLICATION
ENGINEERING**

**GLOBAL
PRESENCE**

**CONTINUOUS
INNOVATION**

Efficient Container Handling, anytime, anywhere.

Get started at Ports.RegalRexnord.com

Regal Rexnord

Customer Service: 800-626-2120

Technical Service: 800-626-2093

CustomerService.PTSolutions@regalrexnord.com

regalrexnord.com

The proper selection and application of products and components, including assuring that the product is safe for its intended use, are the responsibility of the customer. To view our Application Considerations, please visit <https://www.regalrexnord.com/Application-Considerations>.

To view our Standard Terms and Conditions of Sale, please visit <https://www.regalrexnord.com/Terms-and-Conditions-of-Sale> (which may redirect to other website locations based on product family).

"Regal Rexnord" is not indicative of legal entity. Refer to product purchase documentation for the applicable legal entity. Regal Rexnord, Bauer Gear Motors, CENTA, Falk, Perceptiv, Stearns, Stromag, Svendborg Brakes and Warner Electric are trademarks of Regal Rexnord Corporation or one of its affiliated companies.

© 2026 Regal Rexnord Corporation, All Rights Reserved. MCB-10929-C-EN-A4 04/26

Scan to visit
ports.regalrexnord.com

