

SVENDBORG BRAKES, DENMARK  
 CVR / VAT: 13256438  
 WWW.SVENDBORG-BRAKES.COM

THIS DRAWING/DOCUMENT REMAINS THE PROPERTY OF SVENDBORG BRAKES AND MUST NOT BE COPIED WITHOUT OUR PRIOR WRITTEN PERMISSION. AND THE CONTENTS THEREOF MUST NOT BE DISCLOSED TO ANY THIRD PARTY. NOR BE USED FOR ANY UNAUTHORIZED PURPOSE. LEGAL ACTION WILL BE TAKEN IN THE EVENT OF CONTRAVENTION.

REV. B 93703 SFR 27.03.2008  
 REV. C 101452 SFR 23.09.2020  
 REV. D 102891 SDE 29.08.2023

BOLTS M16 CLASS 10.9  
 Mv = 220 ± 15 Nm  
 WITH MoS2

BOLTS M33 CLASS 10.9  
 Mv = 1520 ± 40 Nm  
 WITH MoS2

BOLTS M24 CLASS 10.9  
 Mv = 607 ± 30 Nm  
 WITH MoS2

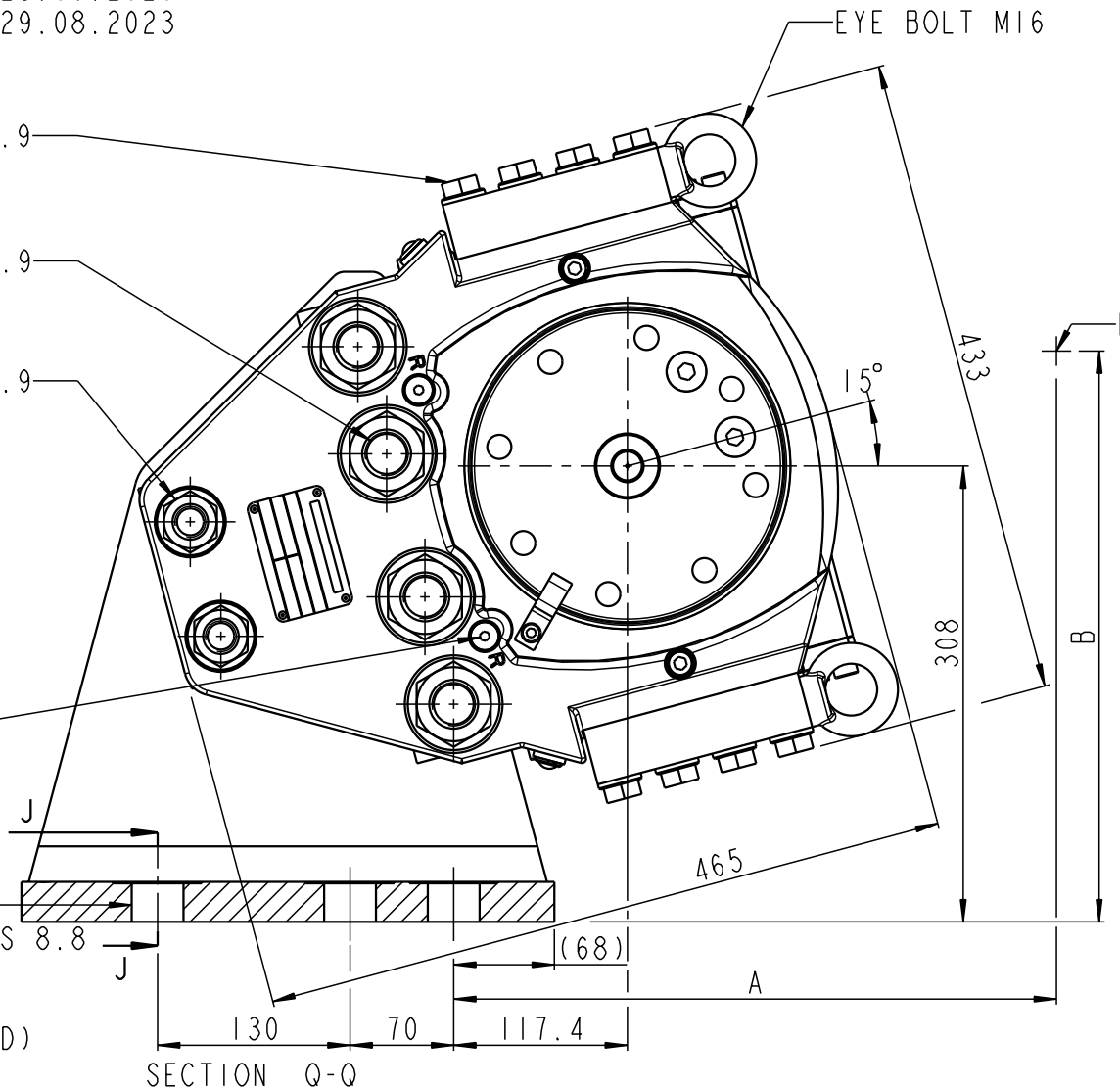
DRAIN PORT  
 G1/4

Ø 35 (6x)  
 FOR BOLTS M30 CLASS 8.8  
 Mv = 1040 ± 50 Nm  
 WITH MoS2  
 (BOLTS NOT INCLUDED)

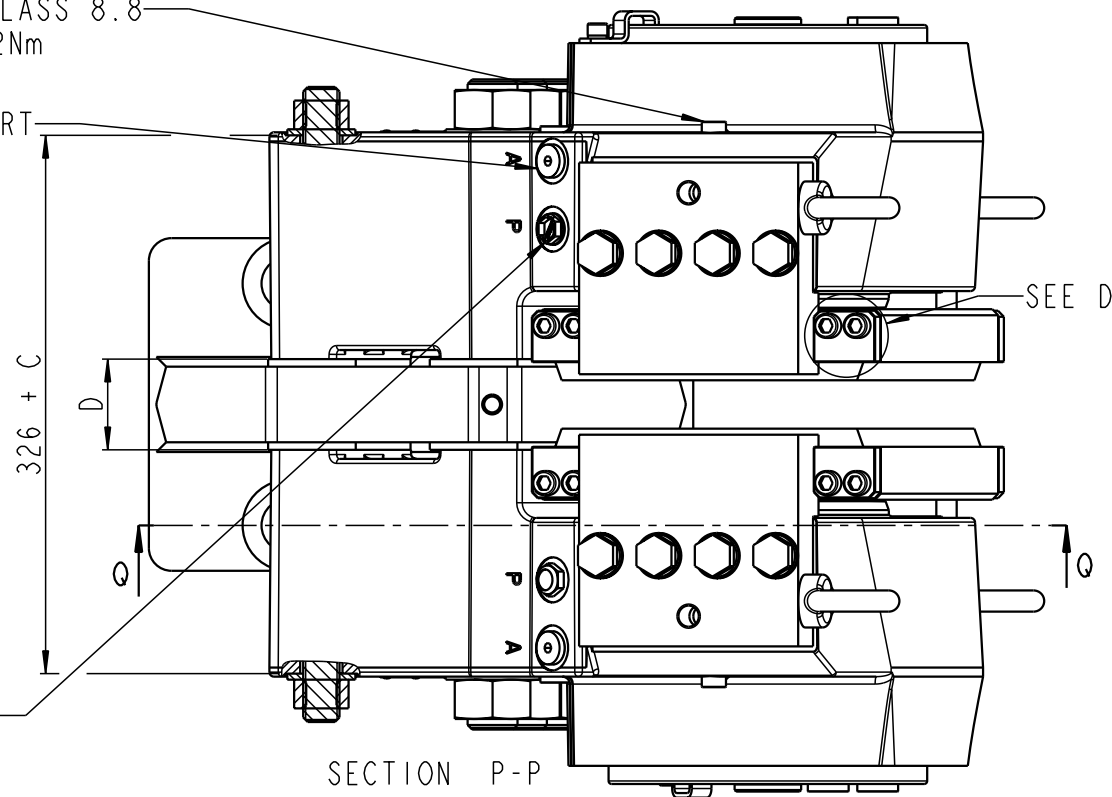
BOLTS M10 CLASS 8.8  
 Mv = 27 ± 2Nm  
 DRY

PRESSURE PORT  
 G3/8

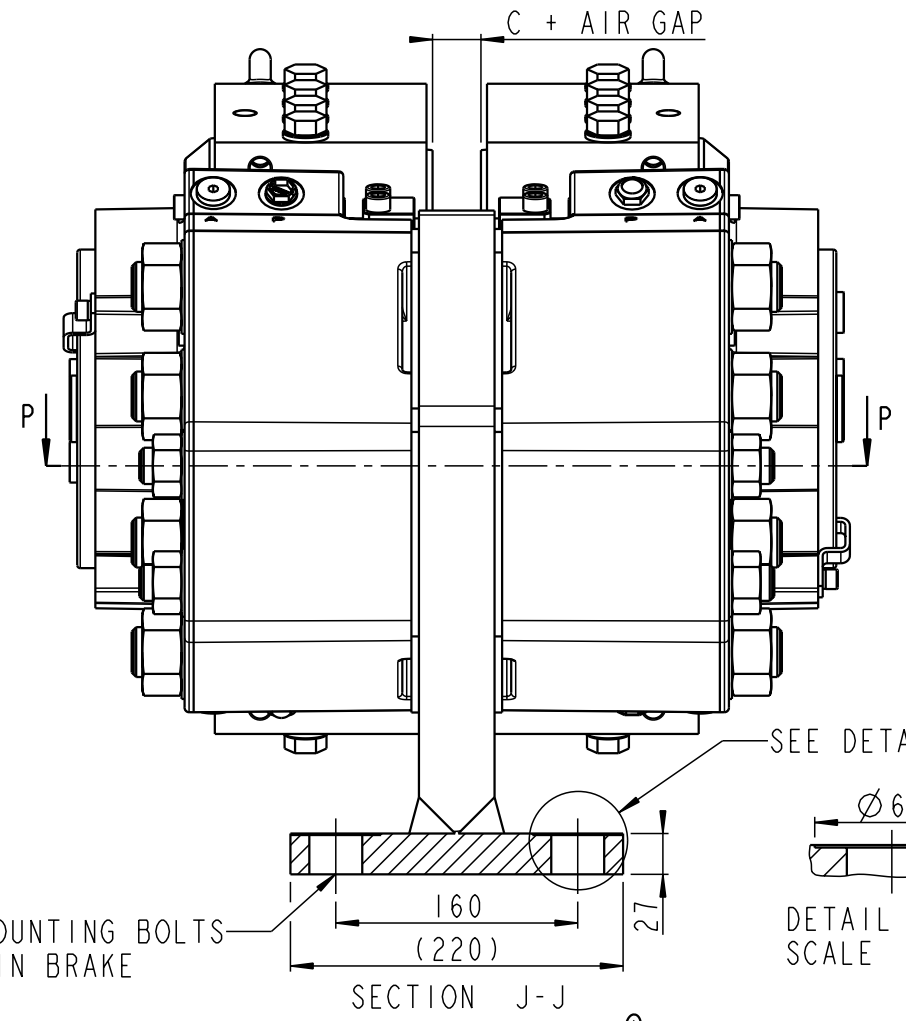
DRAIN PORT  
 G3/8



SECTION Q-Q

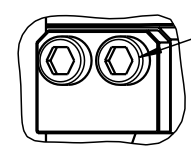


SECTION P-P



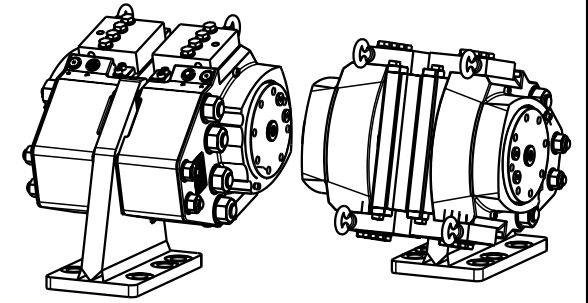
SECTION J-J

BRACKET AND MOUNTING BOLTS  
 NOT INCLUDED IN BRAKE



DETAIL B  
 SCALE 2:5

BOLTS M10 CLASS 8.8  
 FOR PAD GUIDES  
 Mv = 45 ± 6 Nm  
 DRY



DISTANCE FROM CENTER OF DISC (R = RADIUS OF DISC)  
 A = 0.966(R-110) + 117.4  
 B = 0.259(R-110) + 307.9  
 C = DISC THICKNESS  
 D = MOUNTING SURFACE WIDTH = C+30  
 BRACKET DIMENSIONS BASED ON BRACKET 8228-1183-802 (C MIN. 30MM)  
 MOUNTING DATA, SEE DRAWING 490-1046  
 WEIGHT: APPROX. 310 KG INCL. BRAKE PADS (EXCL. BRACKET AND BOLTS)

TOLERANCES FOR INTERNAL AND EXTERNAL RADII, ANGLES AND CHAMFERS ACCORDING TO: ISO 2768 - mK		ALL DIMENSIONS IN mm	DRAWING STATUS
DRAWN BY RRH	DATE 07.02.2006	DESCRIPTION BSAH 500-S-500	<b>Released</b>
DRAWING NO. <b>SVENDBORG BRAKES</b> A REGAL REXNORD BRAND		490-3564	REVISION D
			SCALE 1:5 (A3)
			SHEET 1 OF 1 SHEETS

SVENDBORG BRAKES RESERVES THE RIGHT TO REVISE THIS DOCUMENT WITHOUT PRIOR NOTIFICATION OR OBLIGATION

RELEASED  
 by sofie.deleuran