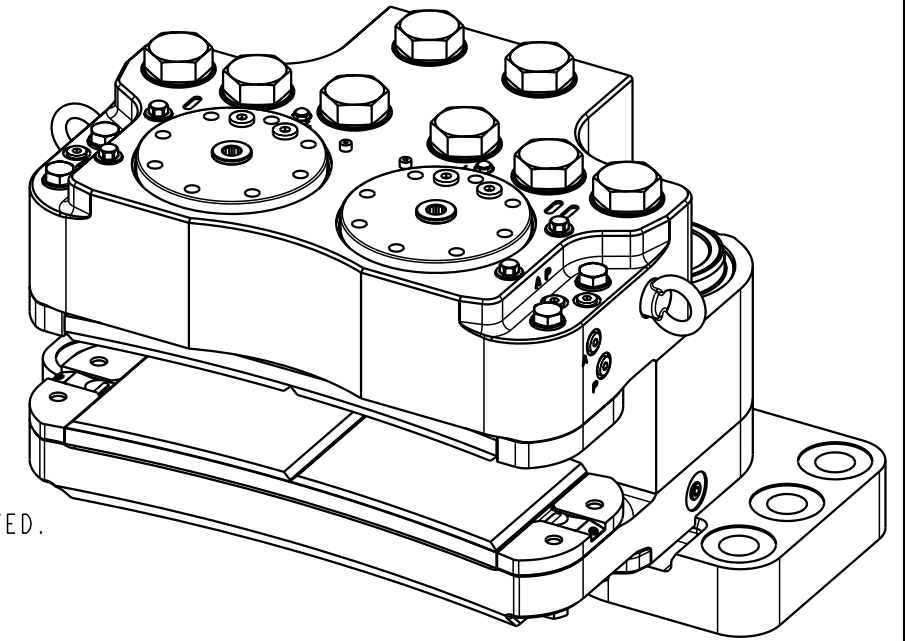
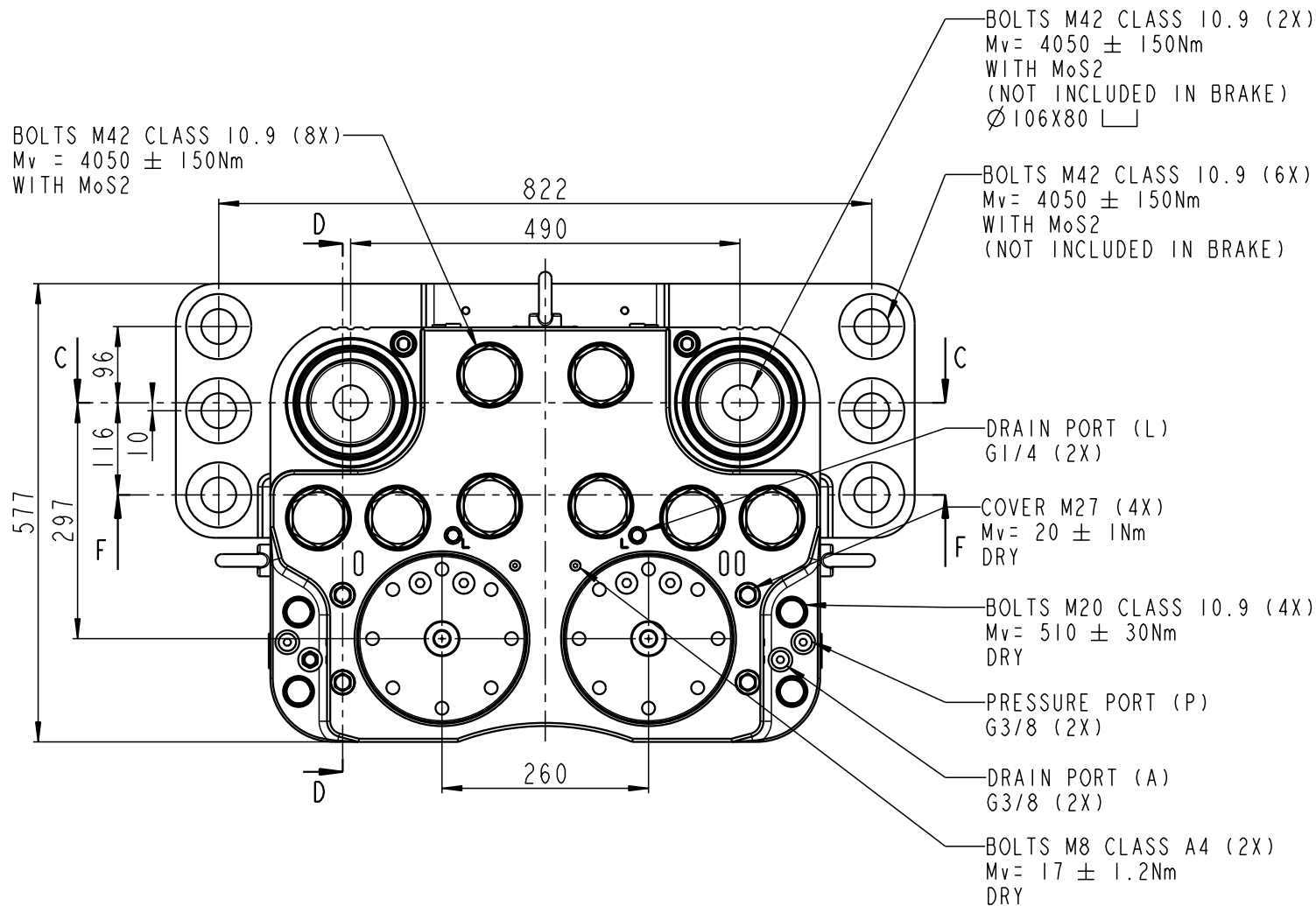
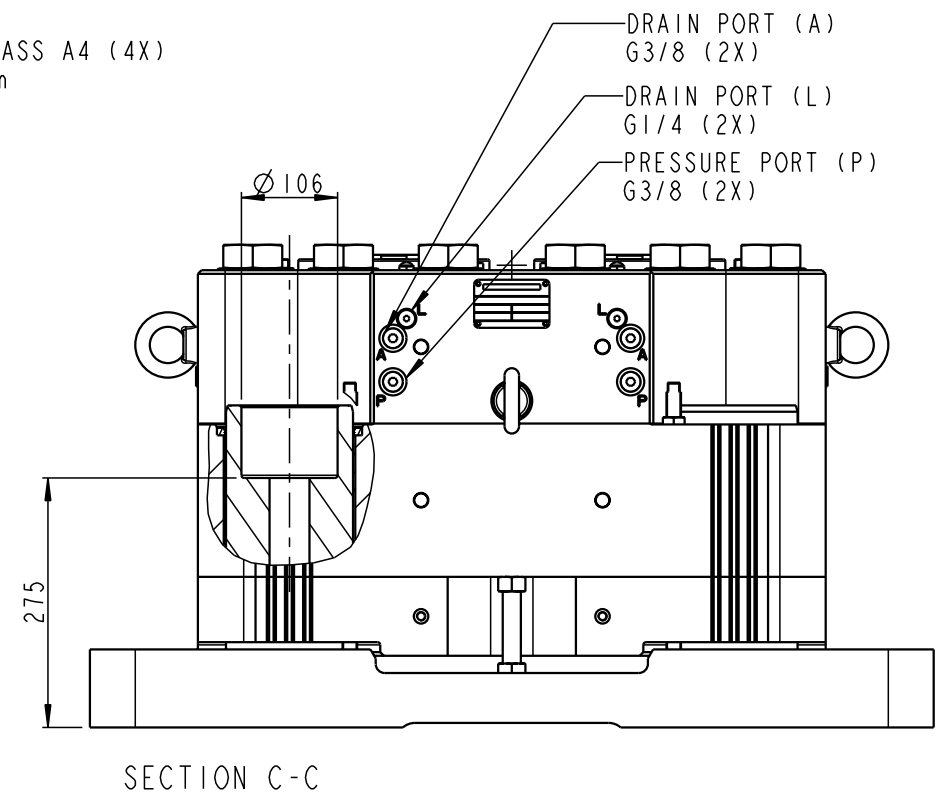
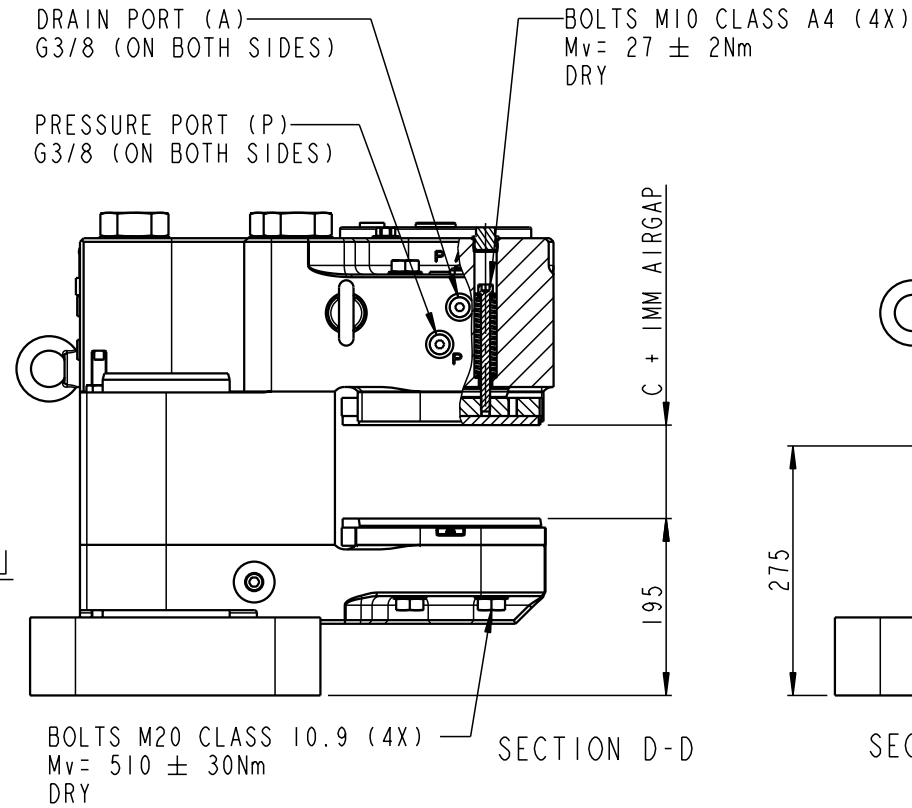
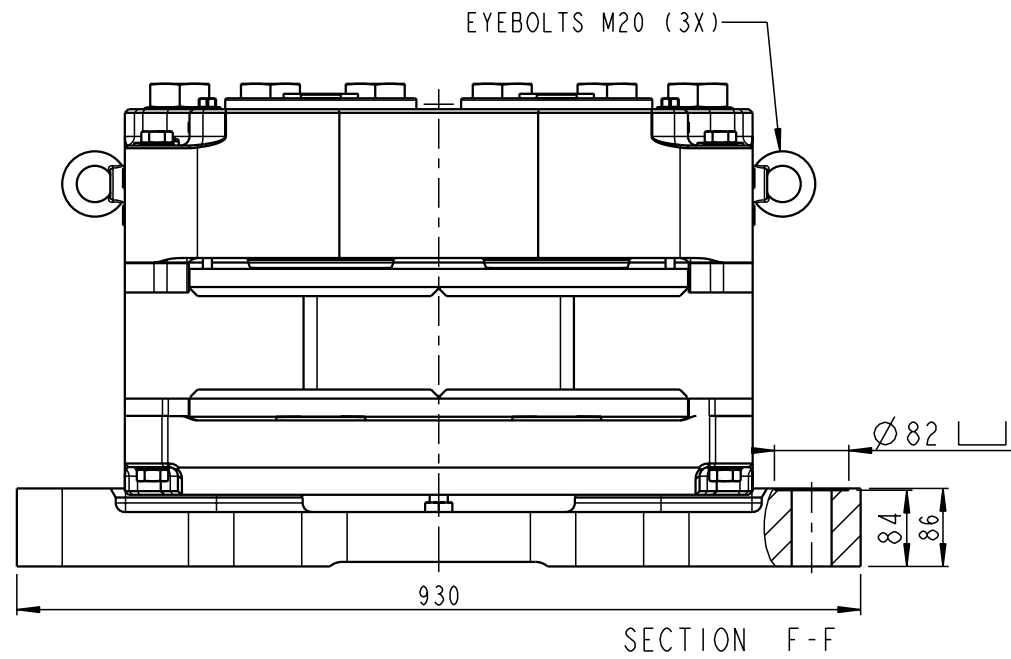


REV. A 98580 RMJ 30.05.2016
REV. B 101928 SDE 26.08.2021
REV. C 102891 SDE 29.08.2023



(A)+(L): DRAIN PORTS,
MUST NOT BE PRESSURIZED.
(P) : PRESSURE PORTS.

□ = COUNTERBORE
BRAKE CAN MOVE ON SHAFTS:
WITHOUT POSITIONING SYSTEM MOUNTED: 10MM UPWARDS AND 5MM DOWNWARDS FROM
NOMINAL MOUNTING DIMENSION (195)
WITH STANDARD POSITIONING SYSTEM MOUNTED: 1MM UPWARDS AND 1/2 AIRGAP DOWNWARDS FROM
NOMINAL MOUNTING DIMENSION (195)

C = BRAKE DISC THICKNESS (FROM 32 TO 102MM DEPENDING ON SPACER THICKNESS)
MOUNTING DATA, SEE DRAWING: 490-5986
WEIGHT: APPROX. 923-1008 KG INCL. BRAKE PADS

TOLERANCES FOR INTERNAL AND EXTERNAL RADII, ANGLES AND CHAMFERS ACCORDING TO:		ALL DIMENSIONS IN mm	DRAWING STATUS
ISO 2768 - mK		DESCRIPTION	Released
DRAWN BY RMJ	DATE 16-07-2015	BSFH D500-XXX-MSXXX-100	
DRAWING NO.		490-5980	REVISION C
SVENDBORG BRAKES [™] A REGAL REYNOLD BRAND			SCALE 3:25 (A3)
			SHEET 1 OF 1 SHEETS