

REV. M 101436 SFR 17.09.2020
 REV. N 102110 NCH 21.12.2021
 REV. O 102880 RMJ 25.08.2023

THIS DRAWING/DRAWING REMAINS THE PROPERTY OF SVENDBORG BRAKES AND MUST NOT BE COPIED WITHOUT OUR PRIOR WRITTEN PERMISSION. AND THE CONTENTS THEREOF MUST NOT BE DISCLOSED TO ANY THIRD PARTY. NOR BE USED FOR ANY UNAUTHORIZED PURPOSE. LEGAL ACTION WILL BE TAKEN IN THE EVENT OF CONTRAVENTION.

PRESSURE / BLEEDING PORT
 G1/4

DRAIN PORT
 G1/8

BOLTS M24 CLASS 10.9
 $M_v = 740 \pm 30 \text{ Nm}$
 WITH MoS2

BOLTS M20 CLASS 10.9
 $M_v = 430 \pm 20 \text{ Nm}$
 WITH MoS2

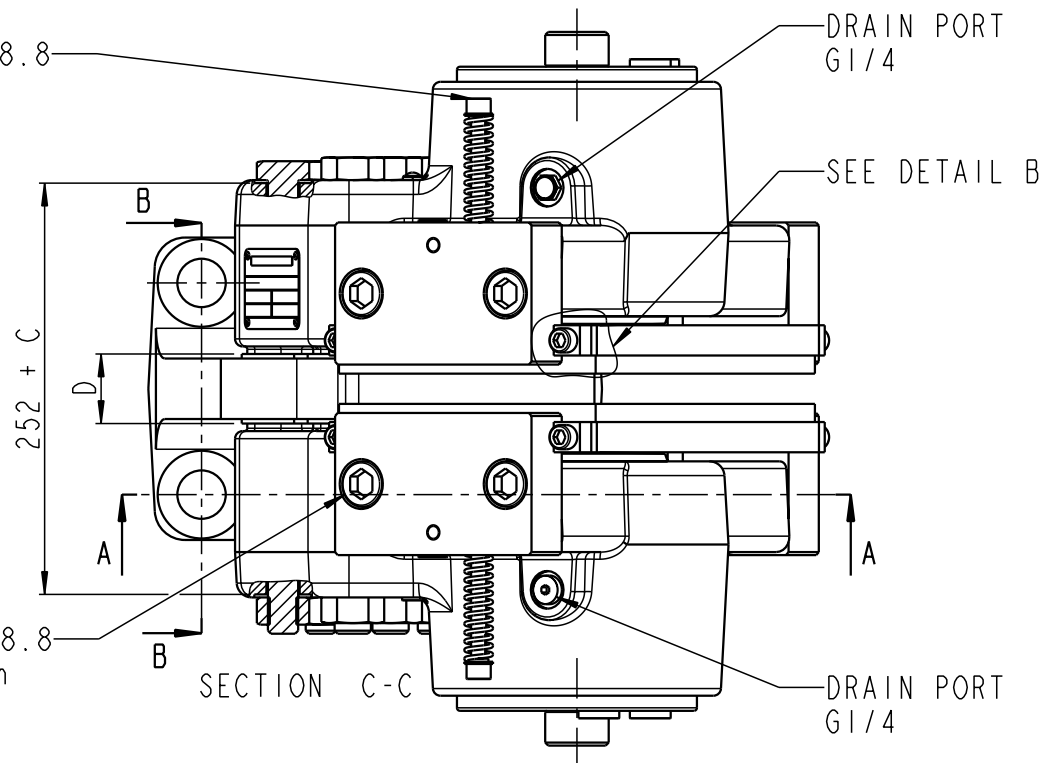
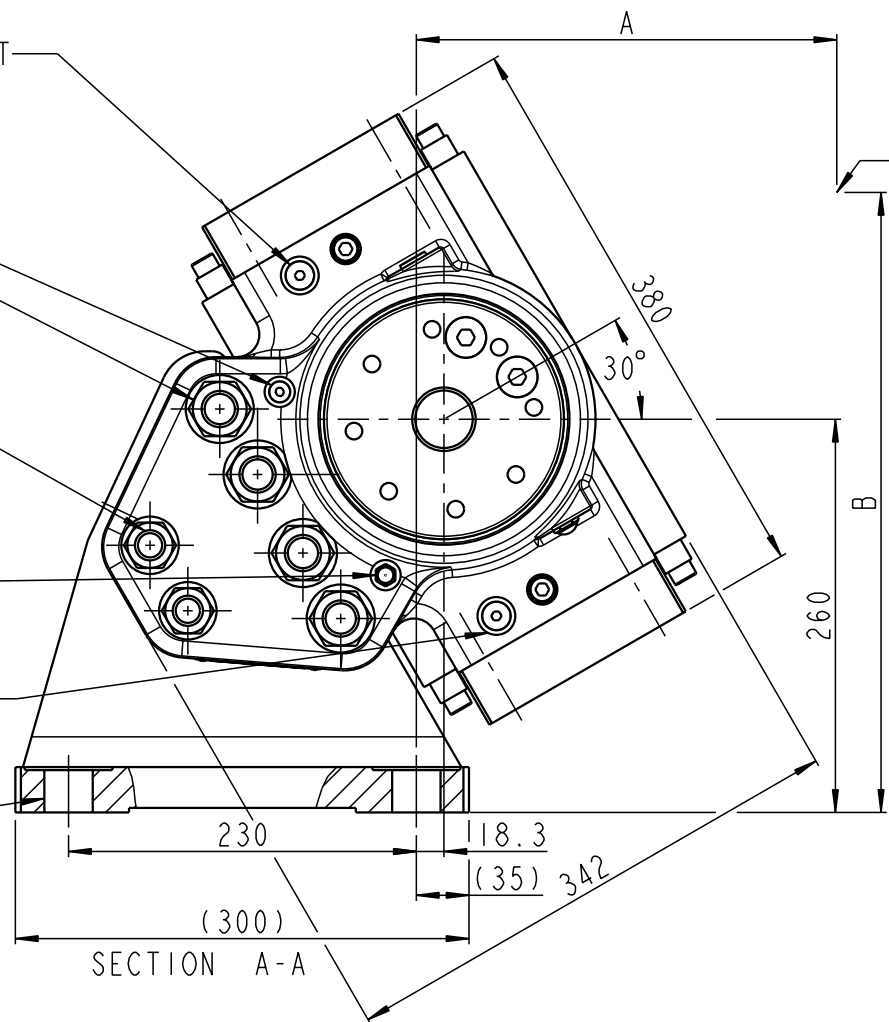
DRAIN PORT
 G1/8

PRESSURE/BLEEDING PORT
 G1/4

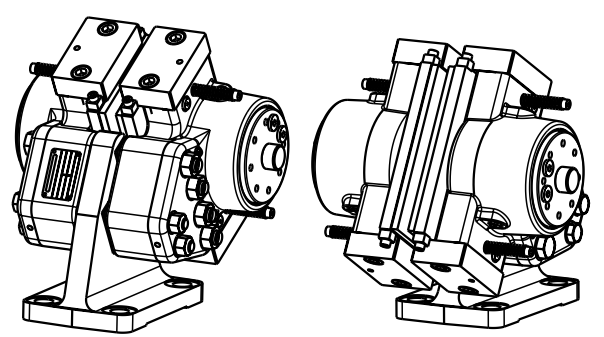
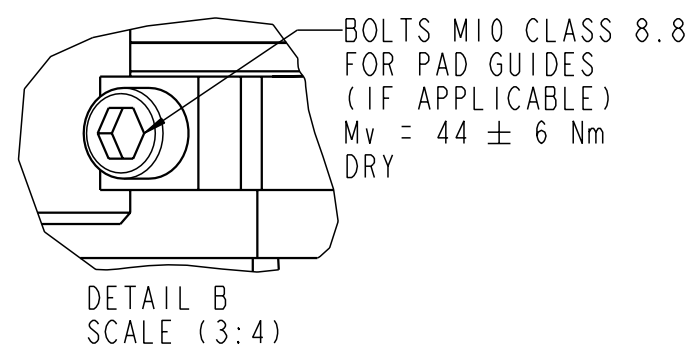
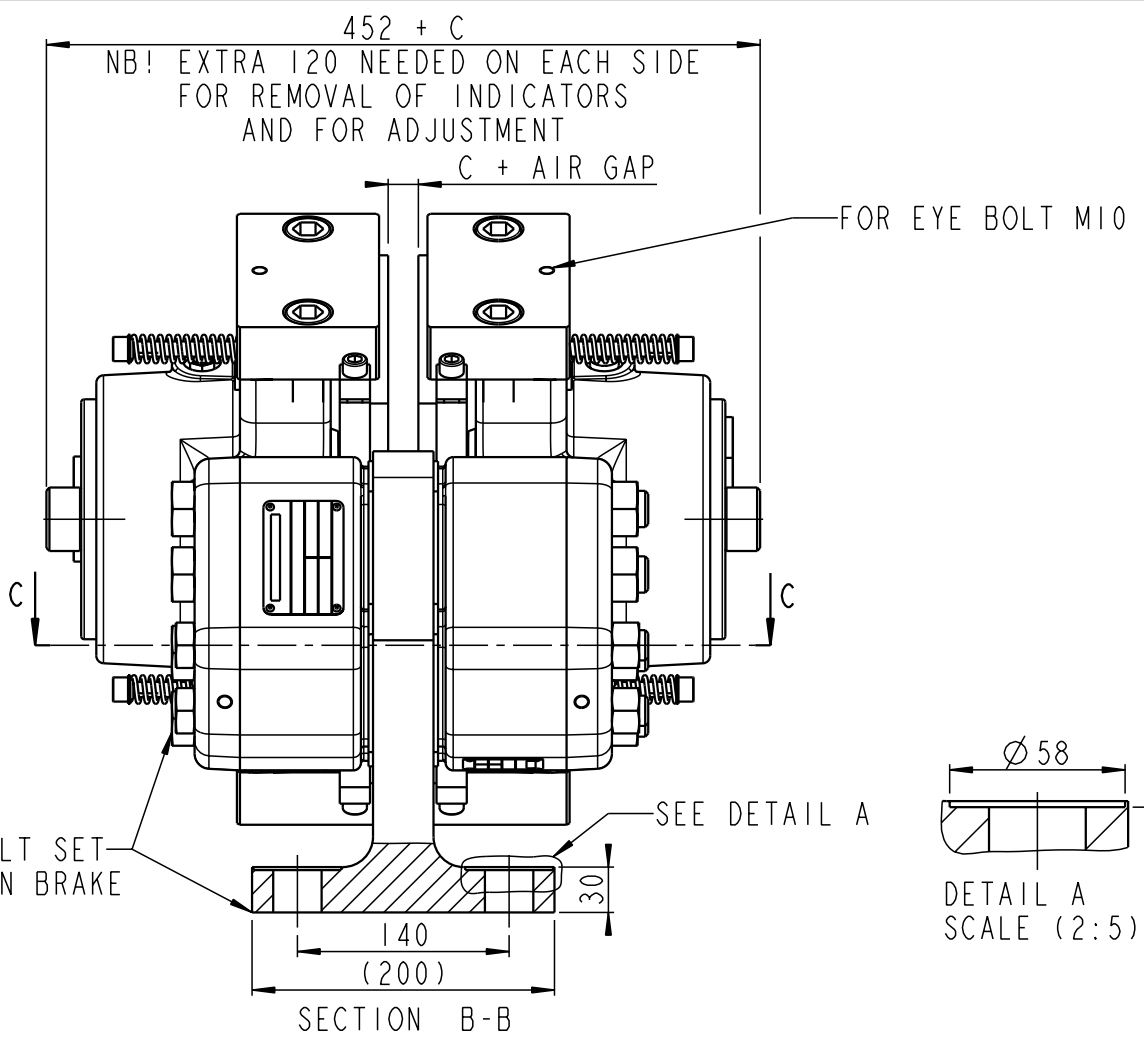
$\varnothing 32$ (4x)
 FOR BOLTS M30 CLASS 8.8
 $M_v = 1040 \pm 40 \text{ Nm}$
 WITH MoS2
 (BOLTS NOT INCLUDED)

BOLTS M10 CLASS 8.8
 $M_v = 27 \pm 2 \text{ Nm}$
 DRY

BOLTS M20 CLASS 8.8
 $M_v = 305 \pm 20 \text{ Nm}$
 WITH MoS2



DISC CENTER



DISTANCE FROM CENTER OF BRAKE DISC (R=RADIUS OF BRAKE DISC)
 $A = 0.866(R-100) + 18.3$
 $B = 0.5(R-100) + 260$
 $C = \text{BRAKE DISC THICKNESS}$
 $D = \text{MOUNTING SURFACE WIDTH} = C + 26$
 BRACKET DIMENSIONS BASED ON BRACKET 490-1699-001 (C MIN. = 20MM)
 MOUNTING DRAWING, SEE DRAWING 490-1778
 WEIGHT: APPROX. 150 KG INCL. BRAKE PADS (EXCL. BRACKET AND BOLTS)

TOLERANCES FOR INTERNAL AND EXTERNAL RADII, ANGLES AND CHAMFERS ACCORDING TO: ISO 2768 - mK		ALL DIMENSIONS IN mm	DRAWING STATUS
DRAWN BY M.PALLESEN	BSFI 3000-S-200	DRAWING NO. 490-1590-801	Released
DATE 16.11.2000			
SVENDBORG BRAKES [®] A REGAL REXNORD BRAND		REVISION 0 SCALE 1:5 (A3) SHEET 1 OF 1 SHEETS	