

REV. D 100523 RMJ 05.02.2019
 REV. E 101436 SFR 17.09.2020
 REV. F 102880 RMJ 25.08.2023

BOLTS M16 CLASS 8.8
 $M_v = 155 \pm 10 \text{ Nm}$
 WITH MoS2

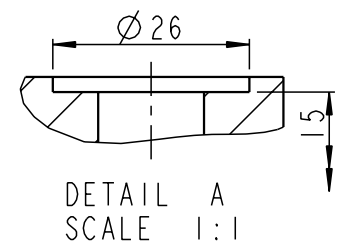
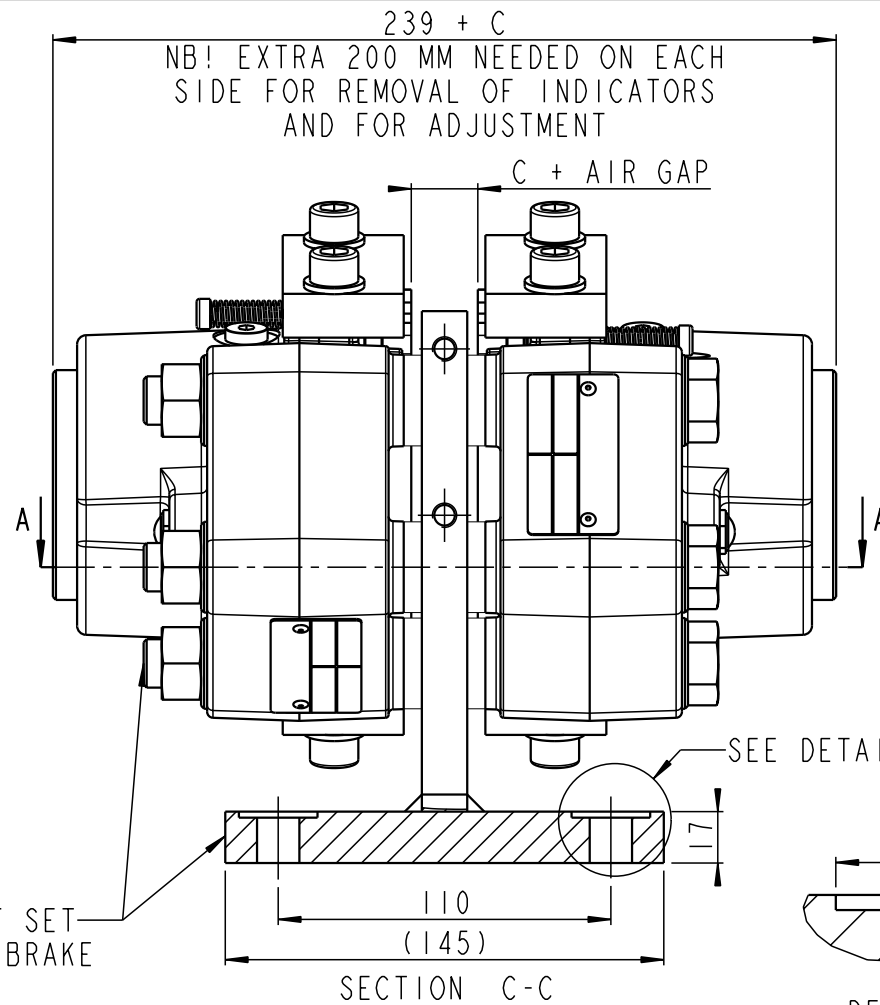
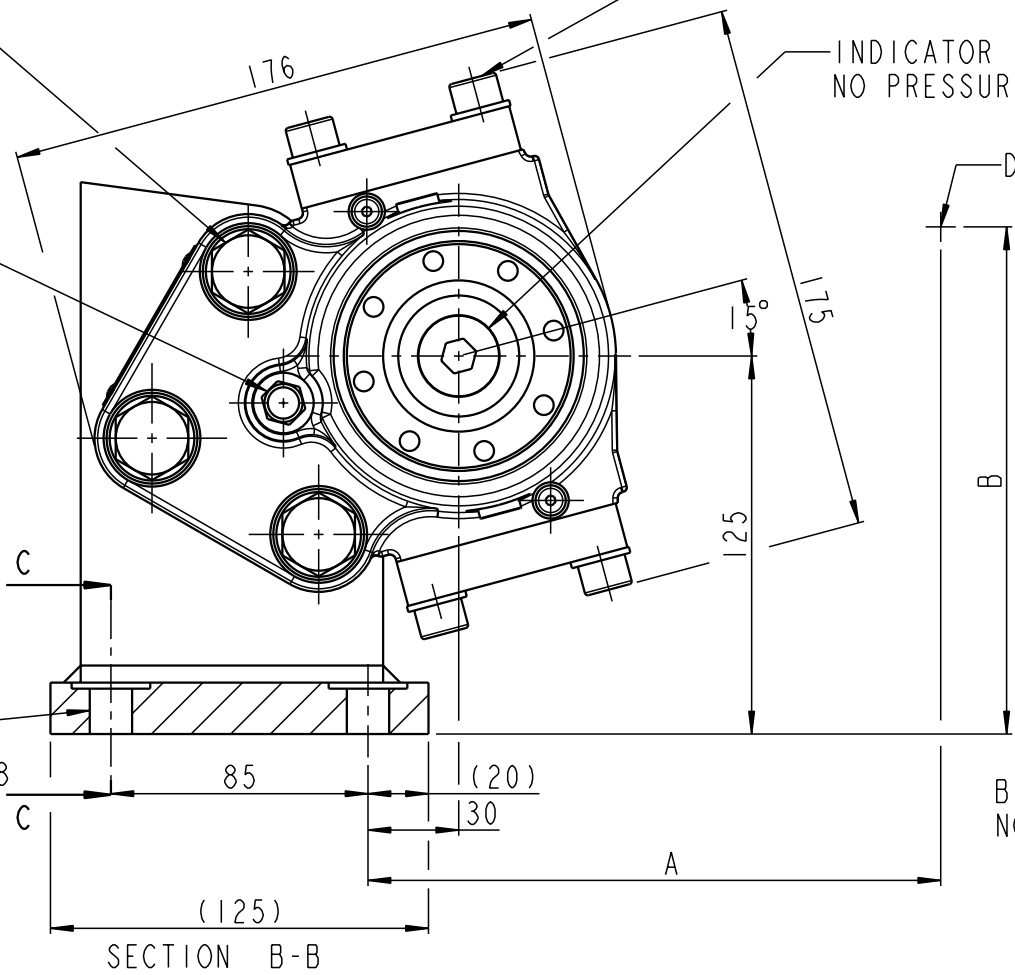
DRAIN PORT
 G1/8

$\varnothing 14$ (4x)
 FOR BOLTS M12 CLASS 8.8
 $M_v = 60 \pm 6 \text{ Nm}$
 WITH MoS2
 (BOLTS NOT INCLUDED)

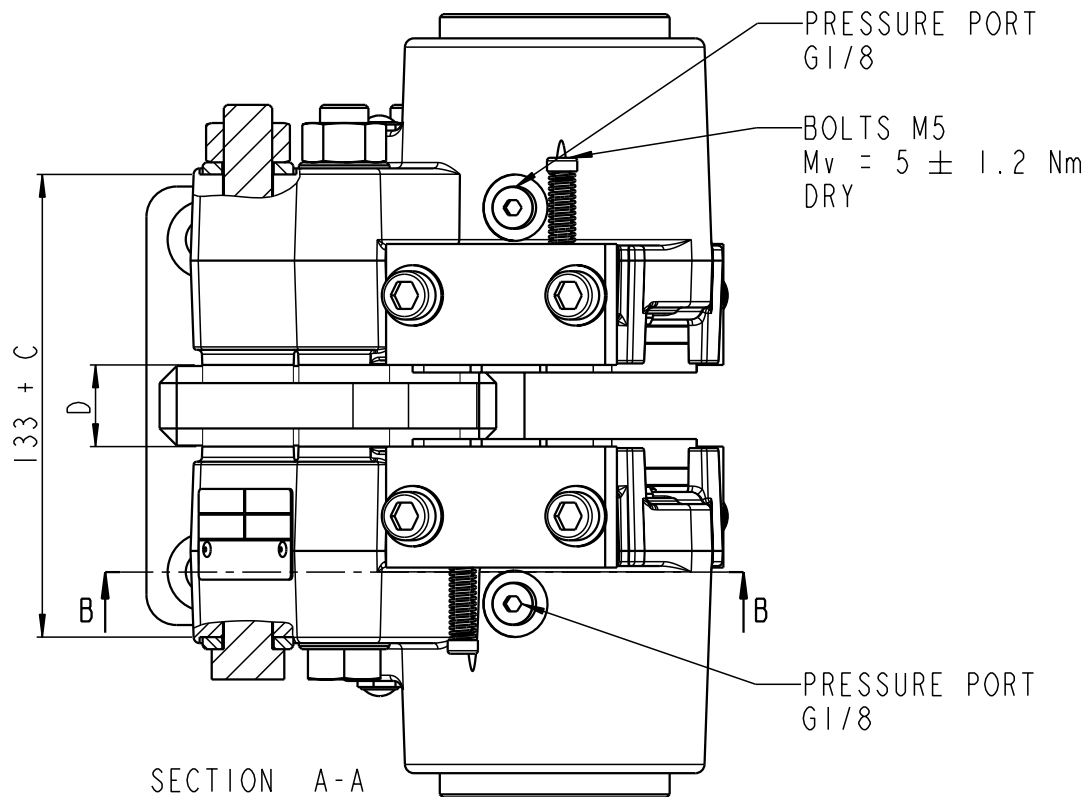
BOLTS M10 CLASS A4-80
 $M_v = 44 \pm 6 \text{ Nm}$
 DRY

INDICATOR PLUG G1/2
 NO PRESSURE

DISC CENTER



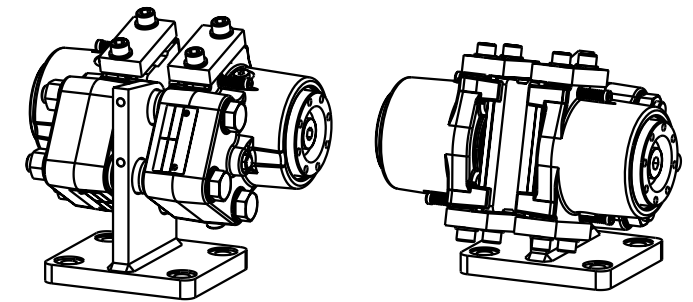
BRACKET AND BOLT SET
 NOT INCLUDED IN BRAKE



PRESSURE PORT
 G1/8

BOLTS M5
 $M_v = 5 \pm 1.2 \text{ Nm}$
 DRY

PRESSURE PORT
 G1/8



DISTANCE FROM CENTER OF BRAKE DISC (R = RADIUS OF BRAKE DISC)
 $A = 0.966(R-35) + 30$
 $B = 0.259(R-35) + 125$
 $C = \text{DISC THICKNESS}$
 $D = \text{MOUNTING SURFACE WIDTH} = C + 7$
 BRACKET DIMENSIONS BASED ON STANDARD BRACKET 490-1135-001 (C MIN. = 50MM)
 MOUNTING DRAWING, SEE DRAWING 490-1244
 WEIGHT: 18.5 KG INCL. BRAKE PADS (EXCL. BRACKET AND BOLTS)

TOLERANCES FOR INTERNAL AND EXTERNAL RADII, ANGLES AND CHAMFERS ACCORDING TO: ISO 2768 - mK		ALL DIMENSIONS IN mm	DRAWING STATUS
DRAWN BY RCH		DESCRIPTION BSFI 200-S-400 HIGH PRESSURE	Released
DATE 25.01.2010			
DRAWING NO.		490-4211	REVISION F
SVENDBORG BRAKES™ A REGAL REXNORD BRAND			SCALE 2:5 (A3)
			SHEET 1 OF 1 SHEETS