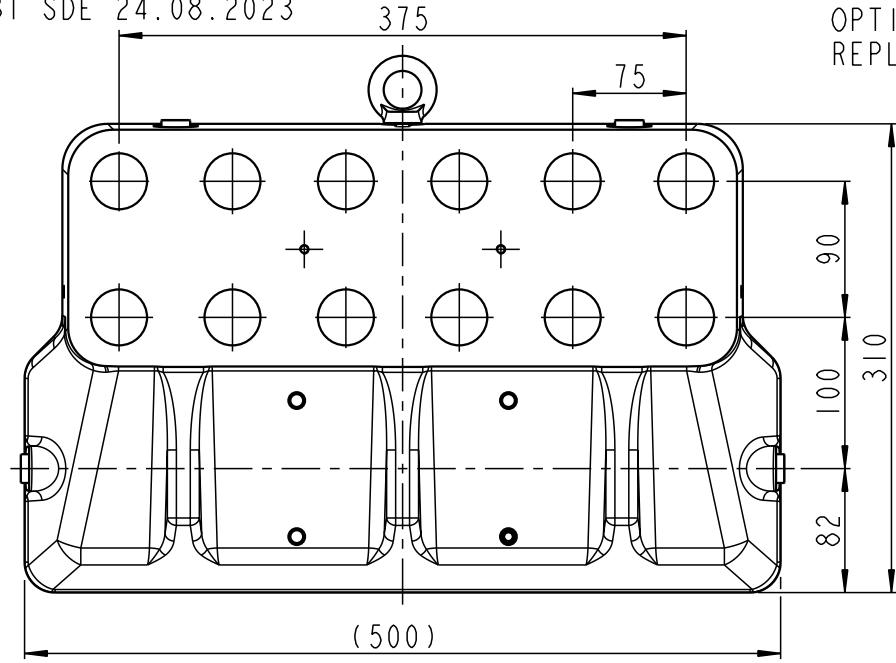


SVENDBORG BRAKES, DENMARK
 CVR / VAT: 13256438
 WWW.SVENDBORG-BRAKES.COM

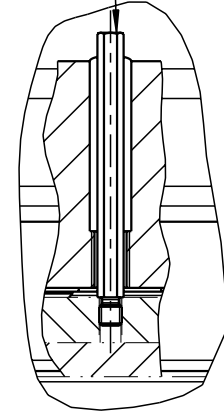
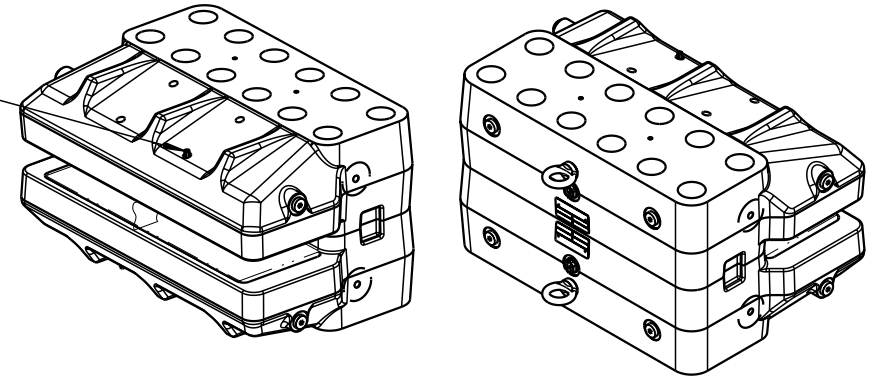
THIS DRAWING/DOCUMENT REMAINS THE PROPERTY OF SVENDBORG BRAKES AND MUST NOT BE COPIED WITHOUT OUR PRIOR WRITTEN PERMISSION. AND THE CONTENTS THEREOF MUST NOT BE DISCLOSED TO ANY THIRD PARTY. NOR BE USED FOR ANY UNAUTHORIZED PURPOSE. LEGAL ACTION WILL BE TAKEN IN THE EVENT OF CONTRAVENTION.

REV. C 50220 FH 02.06.2006
 REV. D 99915 SFR 19.02.2018
 REV. E 102881 SDE 24.08.2023

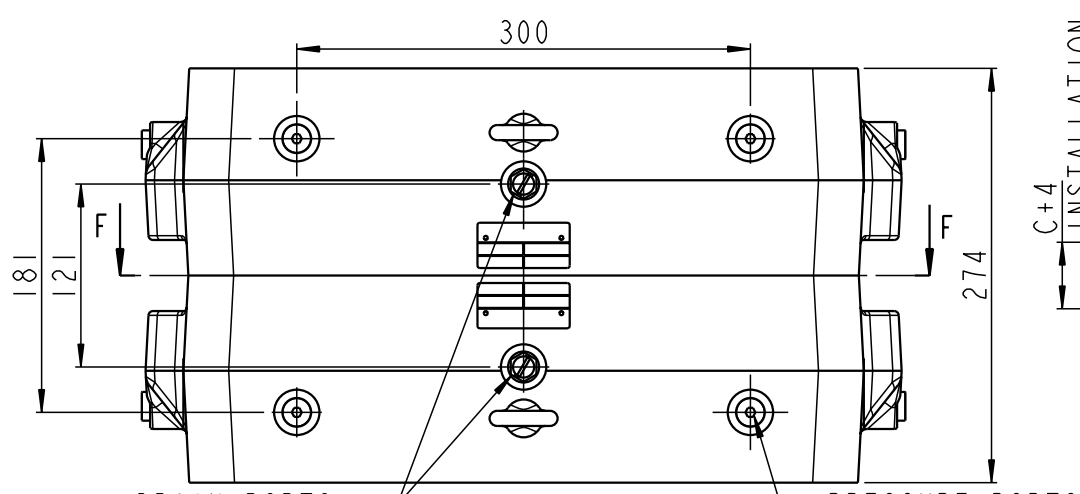
A B C D E F



OPTIONAL VISUAL PAD WEAR INDICATOR
 REPLACE PADS WHEN PIN DISAPPEARS INTO YOKE



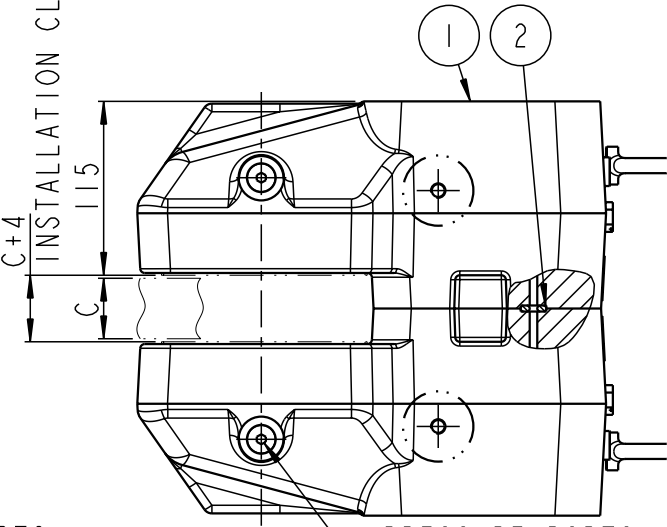
DETAIL A
 SCALE 1:2



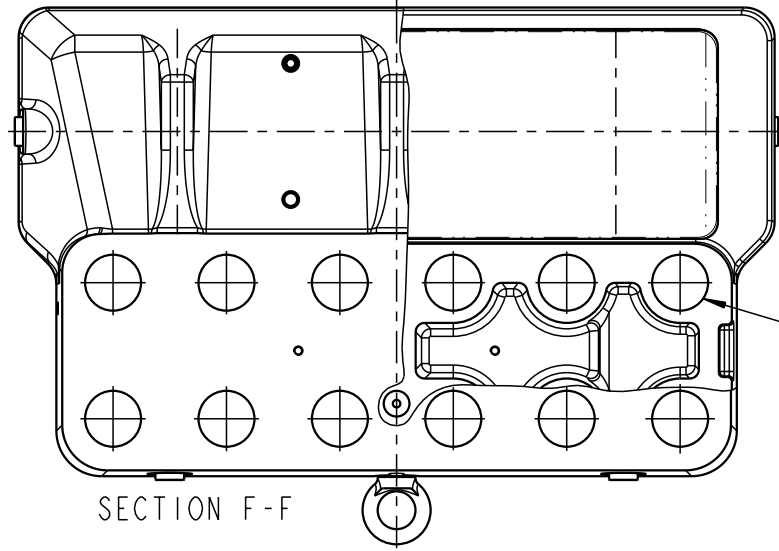
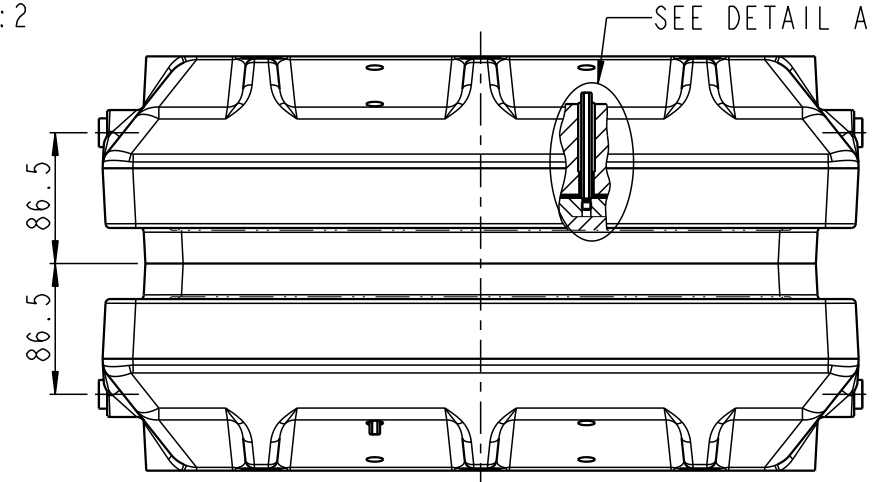
DRAIN PORTS
 G1/4

PRESSURE PORTS
 G1/4
 MAX. 160 BAR

INSTALLATION CLEARANCE



PRESSURE PORTS
 G1/4
 MAX. 160 BAR



SECTION F-F

BOLTS M36 CLASS 10.9
 $M_v = 2560 \text{ Nm} \pm 150$
 WITH MoS2

WEIGHT INCL. BRAKE PADS!
 BRAKE PADS HAVE TO BE ORDERED SEPARATELY!
 C = BRAKE DISC THICKNESS = 40 WITHOUT SPACER
 WEIGHT: APPROX. 189 kg

TOLERANCES FOR INTERNAL AND EXTERNAL RADII, ANGLES AND CHAMFERS ACCORDING TO: ISO 2768 - mK		ALL DIMENSIONS IN mm	DRAWING STATUS
DRAWN BY FH		DESCRIPTION BSAB 120-S-100	Released
DATE 18.10.2002			
DRAWING NO. 590-0136-801		REVISION E	SCALE 1:5 (A3)
SVENDBORG BRAKES [™] A REGAL REXNORD BRAND		SHEET 1 OF 1 SHEETS	

SVENDBORG BRAKES RESERVES THE RIGHT TO REVISE THIS DOCUMENT WITHOUT PRIOR NOTIFICATION OR OBLIGATION

RELEASED
 by sofie.deleuran