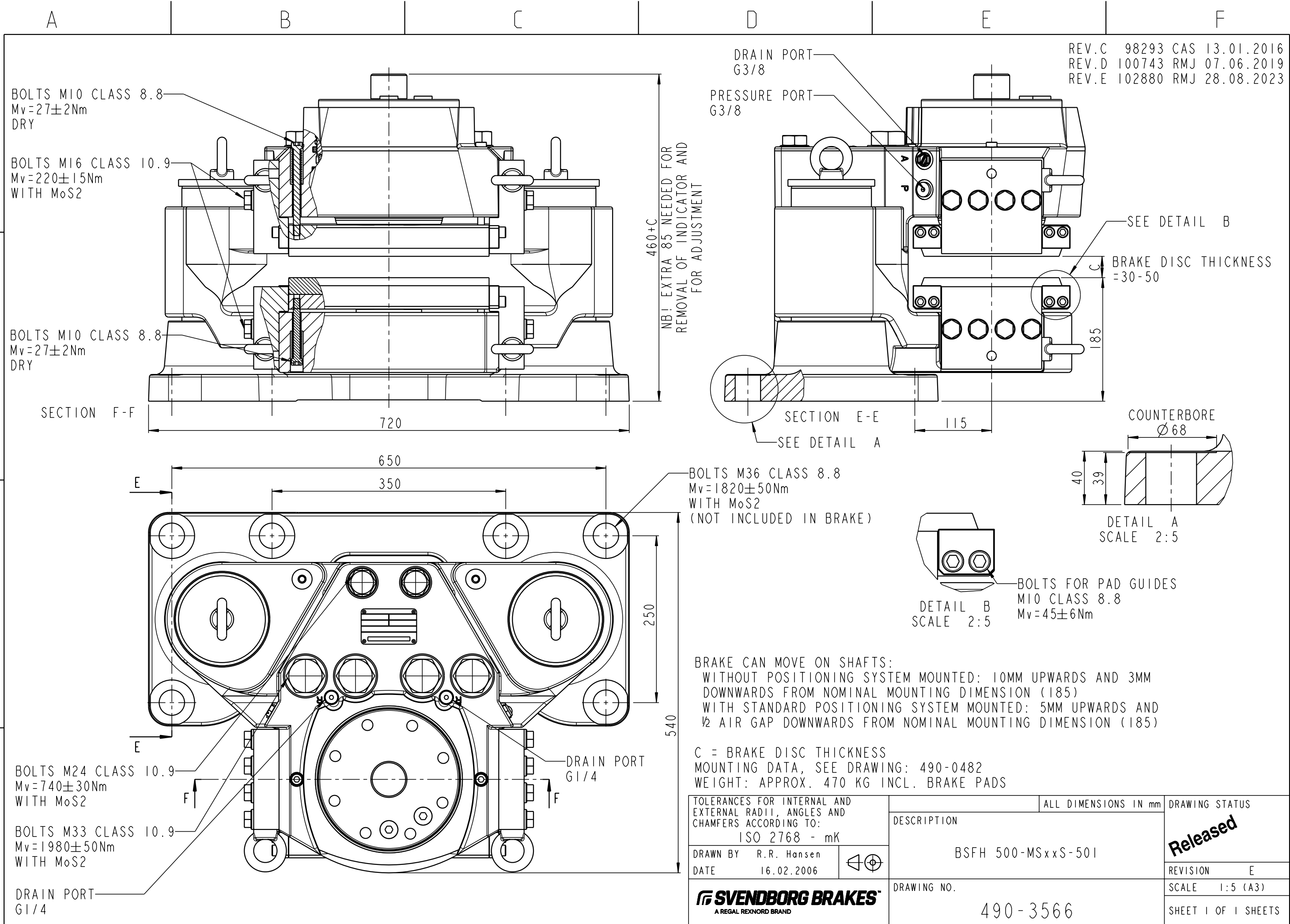


SVENDBORG BRAKES, DENMARK
 CVR / VAT: 13256438
 WWW.SVENDBORG-BRAKES.COM
 THIS DRAWING/DRAWING REMAINS THE PROPERTY OF SVENDBORG BRAKES AND MUST NOT BE COPIED WITHOUT OUR PRIOR WRITTEN PERMISSION. AND THE CONTENTS THEREOF MUST NOT BE DISCLOSED TO ANY THIRD PARTY. NOR BE USED FOR ANY UNAUTHORIZED PURPOSE. LEGAL ACTION WILL BE TAKEN IN THE EVENT OF CONTRAVENTION.



BRAKE CAN MOVE ON SHAFTS:
 WITHOUT POSITIONING SYSTEM MOUNTED: 10MM UPWARDS AND 3MM DOWNWARDS FROM NOMINAL MOUNTING DIMENSION (185)
 WITH STANDARD POSITIONING SYSTEM MOUNTED: 5MM UPWARDS AND 1/2 AIR GAP DOWNWARDS FROM NOMINAL MOUNTING DIMENSION (185)

C = BRAKE DISC THICKNESS
 MOUNTING DATA, SEE DRAWING: 490-0482
 WEIGHT: APPROX. 470 KG INCL. BRAKE PADS

TOLERANCES FOR INTERNAL AND EXTERNAL RADII, ANGLES AND CHAMFERS ACCORDING TO: ISO 2768 - mK		ALL DIMENSIONS IN mm	DRAWING STATUS
DRAWN BY R.R. Hansen		DESCRIPTION	Released
DATE 16.02.2006		BSFH 500-MSxXS-501	
DRAWING NO.		490-3566	REVISION E
			SCALE 1:5 (A3)
			SHEET 1 OF 1 SHEETS

SVENDBORG BRAKES RESERVES THE RIGHT TO REVISE THIS DOCUMENT WITHOUT PRIOR NOTIFICATION OR OBLIGATION

RELEASED
 by randa.juma