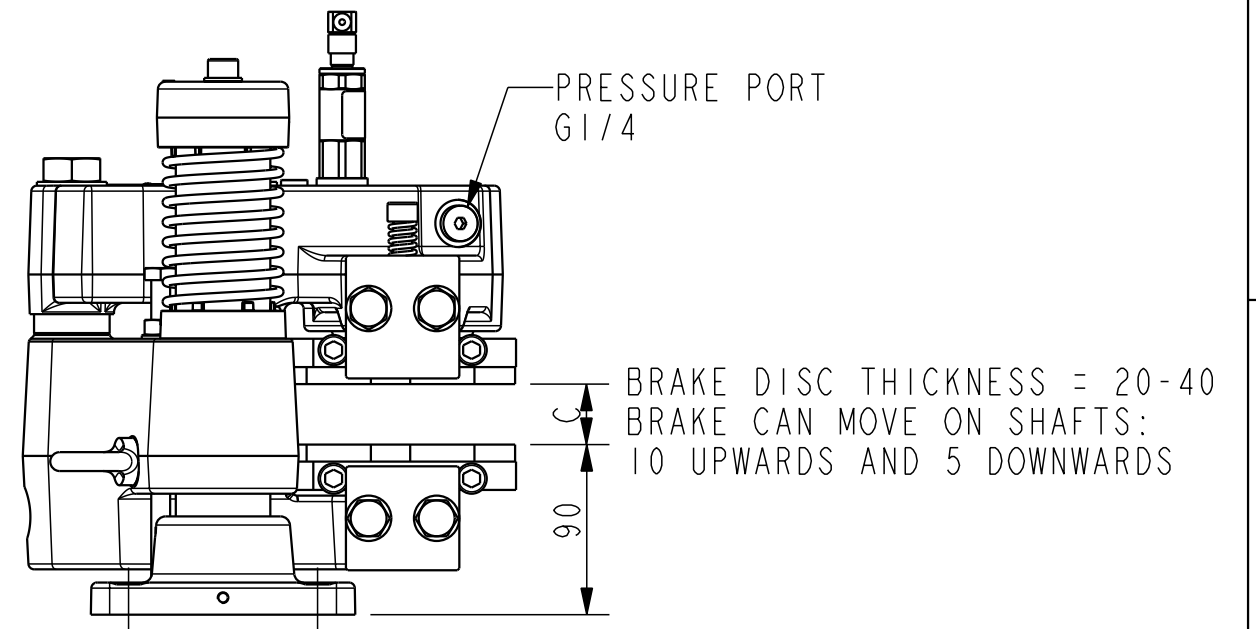
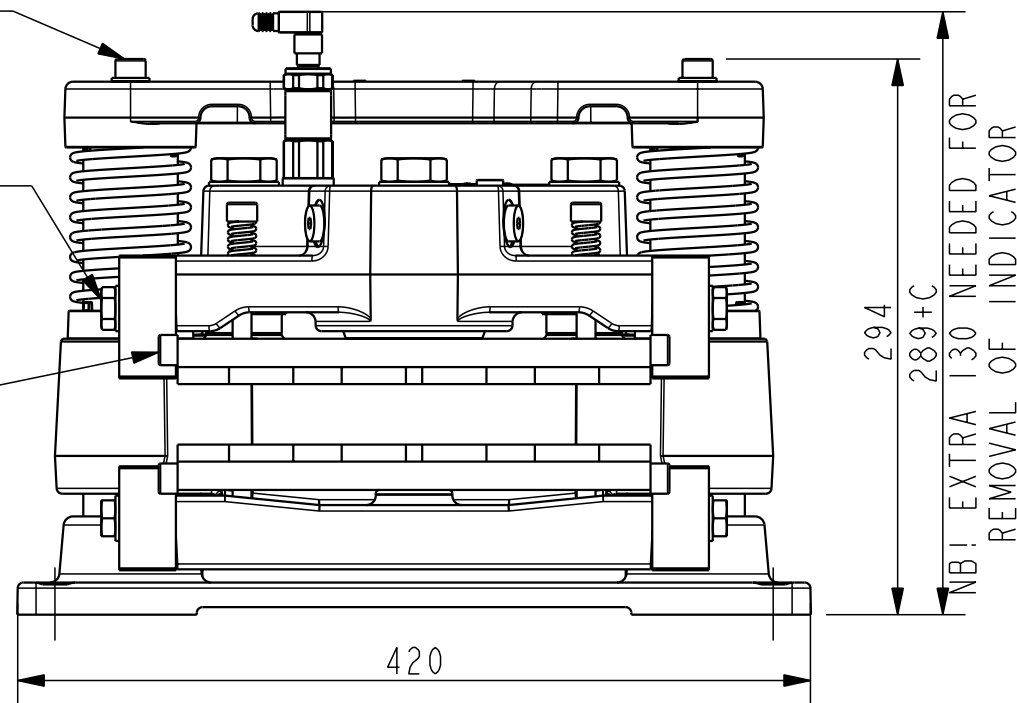


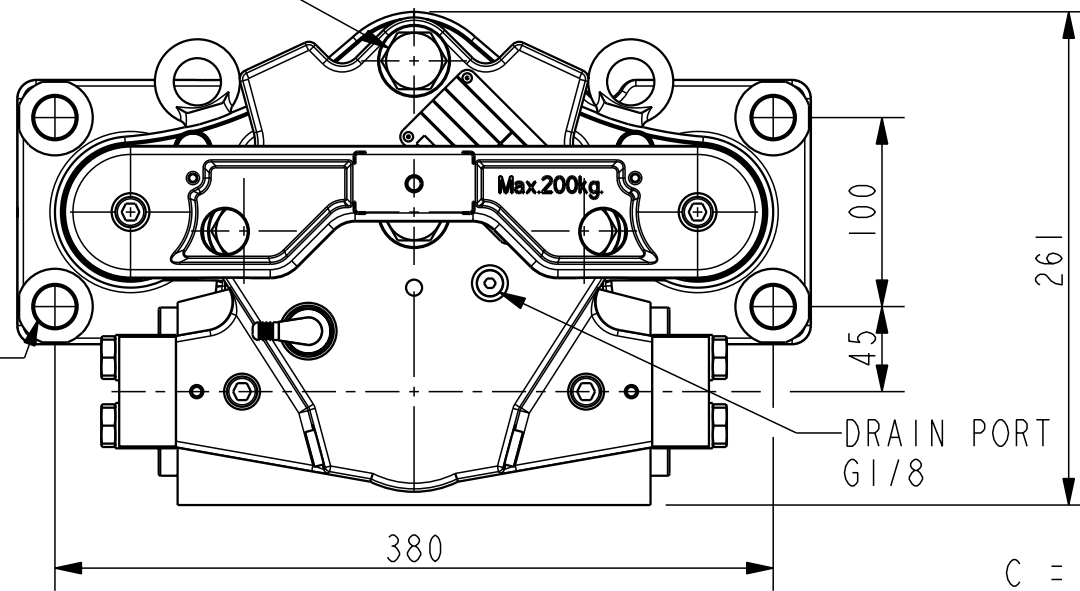
BOLTS M10 CLASS 8.8  
 $M_v = 44 \pm 6$  Nm  
 DRY

BOLTS M12 CLASS 10.9  
 $M_v = 91 \pm 8$  Nm  
 WITH MoS2

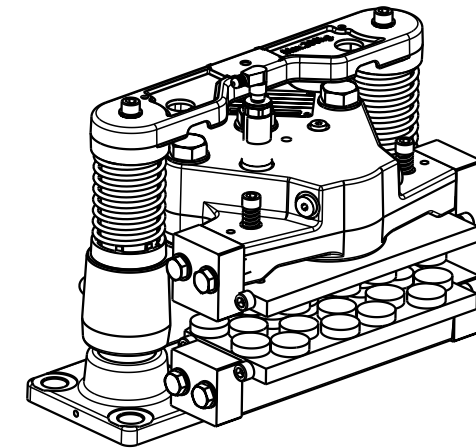
BOLTS M8 CLASS 8.8  
 $M_v = 23 \pm 2$  Nm  
 DRY



BOLTS M20 CLASS 8.8  
 $M_v = 305 \pm 20$  Nm  
 WITH MoS2




BOLTS M20 CLASS 8.8 (4x)  
 $M_v = 305 \pm 20$  Nm  
 WITH MoS2  
 (NOT INCLUDED IN BRAKE)



C = BRAKE DISC THICKNESS  
 MOUNTING DRAWING, SEE DRAWING 490-2334  
 WEIGHT: APPROX 73 kg INCL. BRAKE PADS

Rev. B 95319 SFR 05.07.2011  
 Rev. C 100102 JMO 11.06.2018  
 Rev. D 102881 SDE 24.08.2023

SVENDBORG BRAKES RESERVES THE RIGHT TO REVISE THIS DOCUMENT WITHOUT PRIOR NOTIFICATION OR OBLIGATION

TOLERANCES FOR INTERNAL AND EXTERNAL RADII, ANGLES AND CHAMFERS ACCORDING TO: ISO 2768 - mK		ALL DIMENSIONS IN mm	DRAWING STATUS
DRAWN BY R.R. Hansen		DESCRIPTION BSAK 300 MS30S-200	<b>Released</b>
DATE 15-06-2005			
 A REGAL REXNORD BRAND		DRAWING NO.	SCALE 1:4 (A3)
		490-3443-801	SHEET 1 OF 1 SHEETS