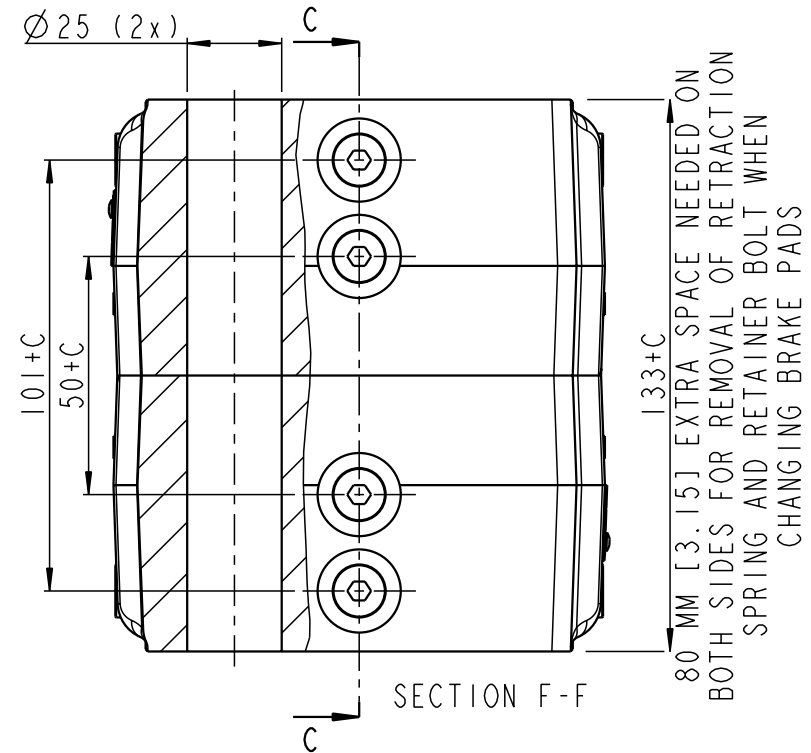
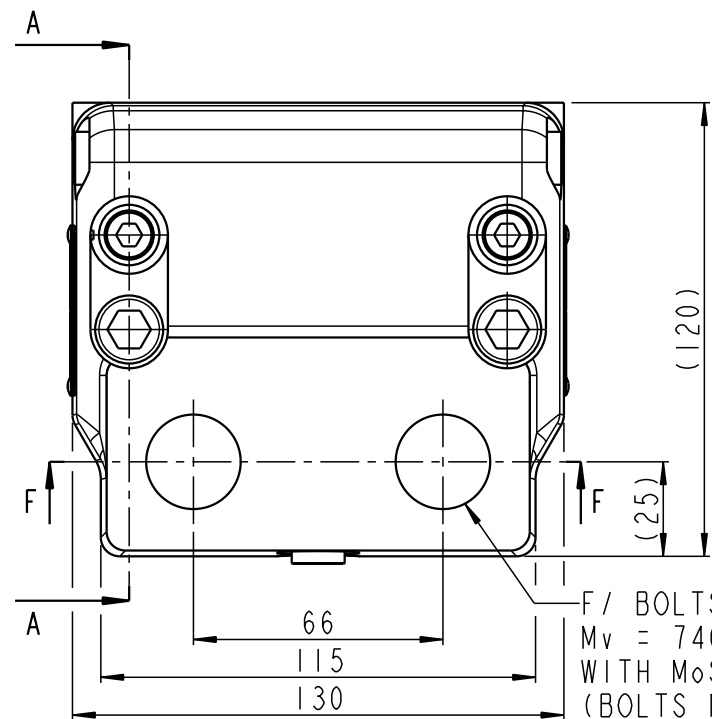
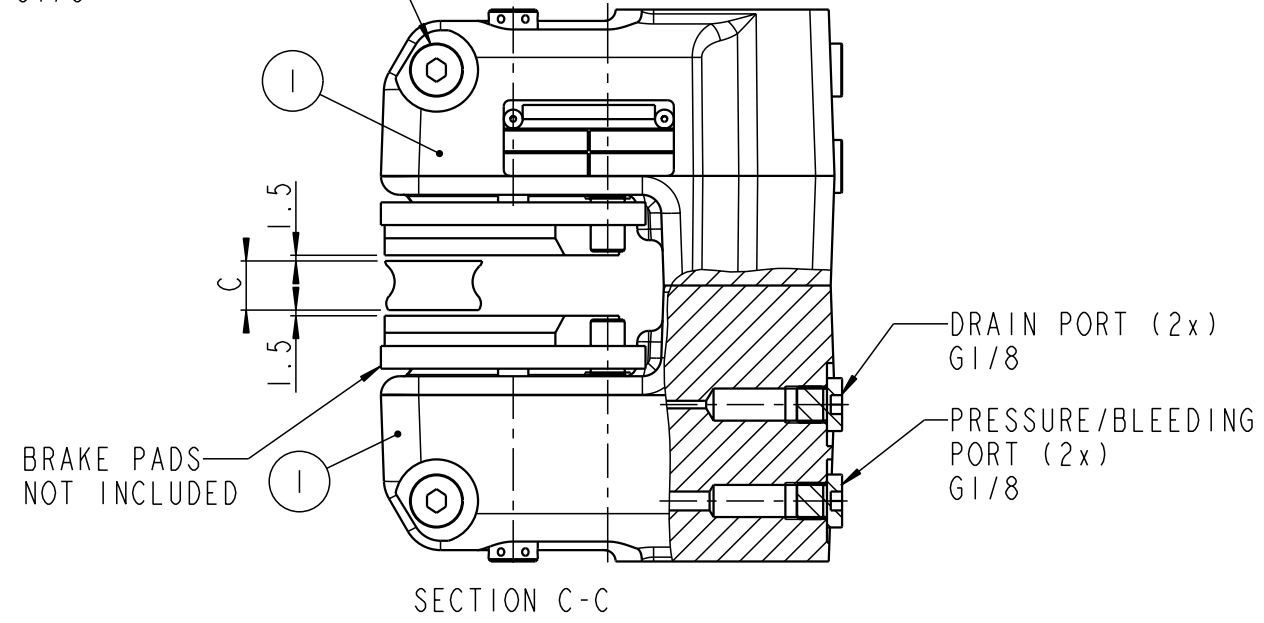


REV. C 100137 SEB 02.07.2018
 REV. D 100011 SEB 14.09.2018
 REV. E 102881 SDE 24.08.2023

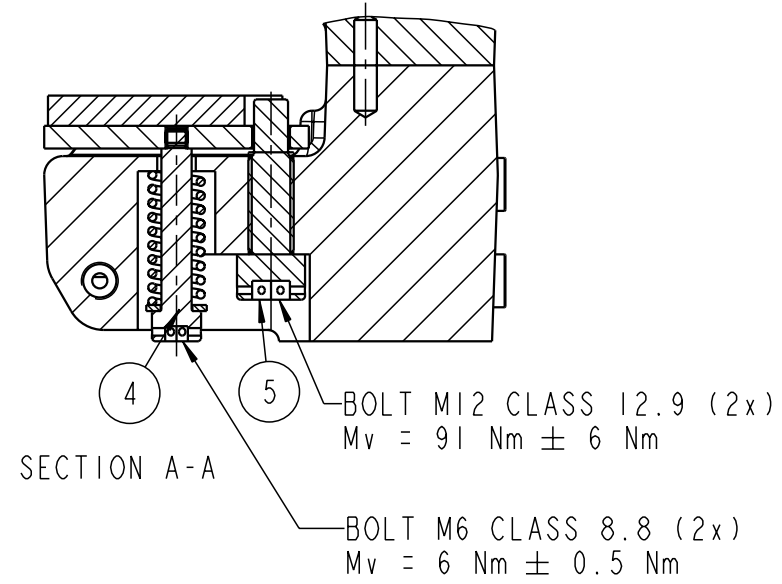


133+C
 80 MM [3.15] EXTRA SPACE NEEDED ON BOTH SIDES FOR REMOVAL OF RETRACTION SPRING AND RETAINER BOLT WHEN CHANGING BRAKE PADS

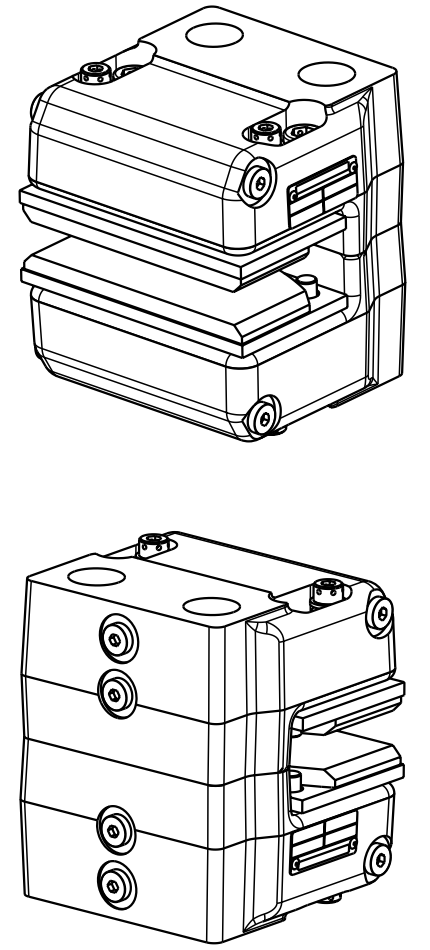
PRESSURE/BLEEDING PORT (4x) G1/8




F/ BOLTS M24 CLASS 10.9 (2x)
 Mv = 740 Nm ± 30 Nm
 WITH M₀S2
 (BOLTS NOT INCLUDED)



DISC THICKNESS [C]: 13 MM (WITHOUT SPACER)
 WEIGHT: APPROX. 11 kg



TOLERANCES FOR INTERNAL AND EXTERNAL RADII, ANGLES AND CHAMFERS ACCORDING TO: ISO 2768 - mK		ALL DIMENSIONS IN mm	DRAWING STATUS
DRAWN BY SFR		DESCRIPTION BSAB 50-S-104	Released
DATE 05.01.2016			
		DRAWING NO. 490-4052-803	SCALE 1:2 (A3)
			SHEET 1 OF 1 SHEETS